

TABLE OF CONTENTS

Parts Manual VMC 2016L MODEL



| | |
|--|----|
| COLUMN ASSEMBLY | 2 |
| 7,500 RPM SPINDLE HEAD ASSEMBLY | 4 |
| 10,000 RPM SPINDLE HEAD ASSEMBLY | 6 |
| BASE, SADDLE & TABLE ASSEMBLY | 8 |
| DRAWBAR CYLINDER ASSEMBLY | 10 |
| ORIENTATION BRIDGE ASSEMBLIES..... | 12 |
| IDLER ASSEMBLIES | 14 |
| WAY LUBE ASSEMBLY..... | 16 |
| GENEVA DRIVE ATC ASSEMBLY | 18 |
| SERVO DRIVE ATC ASSEMBLY | 20 |
| 7500 RPM SPINDLE ASSEMBLY | 22 |
| 10,000 RPM SPINDLE ASSEMBLY | 23 |
| COOLANT THROUGH SPINDLE..... | 24 |
| CNC CABINET ASSEMBLY | 25 |
| CARD CAGE ASSEMBLY | 26 |
| POWER JUNCTION CABINET ASSEMBLY 7500/10,000 RPM..... | 27 |
| CHILLER CABINET ASSEMBLY | 28 |
| MULTI-PROCESSOR PENDANT ASSEMBLY | 29 |
| 88HS PENDANT ASSEMBLY | 30 |
| FRONT DOOR ASSEMBLY | 31 |
| WAY COVER ASSEMBLY..... | 32 |
| SHEETMETAL HOUSING..... | 33 |
| 7500 RPM COOLANT TANK ASSEMBLY..... | 34 |
| 7500 RPM COOLANT THROUGH TANK ASSEMBLY | 35 |
| 10,000 RPM COOLANT TANK ASSEMBLY | 36 |
| 10,000 RPM COOLANT THROUGH TANK ASSEMBLY..... | 37 |

This reference covers the following Fadal products:

Model VMC 2016L

Corporate Office..... voice (818) 407-1400 fax (818) 407-0020
Service / Parts voice (818) 727-2100 fax (818) 407-1004
Programming Support voice (818) 727-2100 fax (818) 407-0061

support@fadal.com
20701 Plummer Street, Chatsworth, California 91311 USA

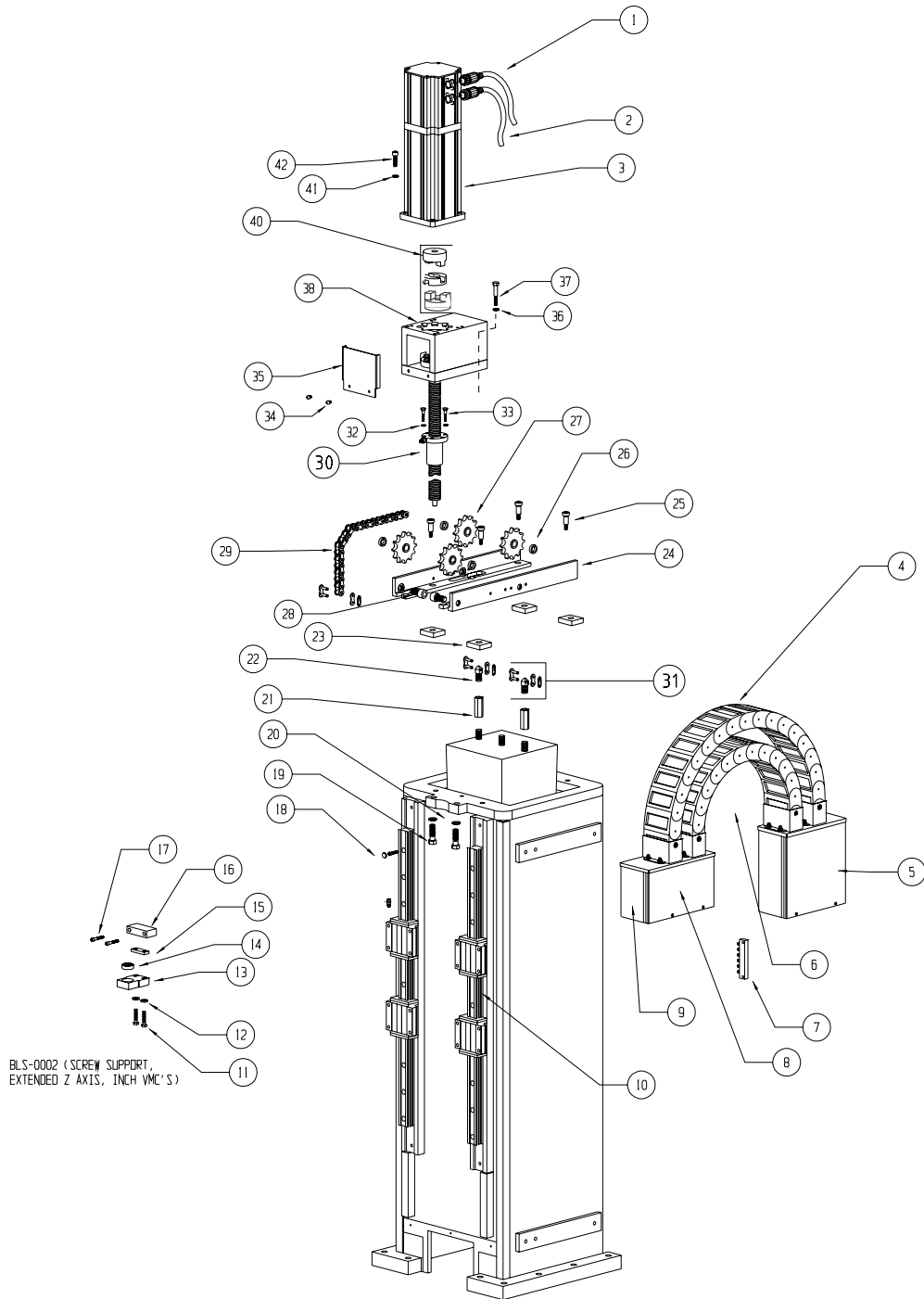
The content of this manual has been reviewed for accuracy and is applicable to current Fadal hardware and software products as described herein. Differences may exist and we cannot guarantee that they are completely covered in this document. The information in this document is reviewed regularly and any necessary changes will be incorporated in the next revision. We welcome any suggestions for improvement.

Material is subject to change without notice.

This manual is for the exclusive use of Fadal Customers and Distributors. The reproduction, transmission or use of this document or its contents is not permitted without the expressed written permission of Fadal Machining Centers. All rights, including rights created by patent grant or registration of a utility, model or design, are reserved.

© Copyright 2001 Fadal Machining Centers.

COLUMN ASSEMBLY



COLUMN ASSEMBLY

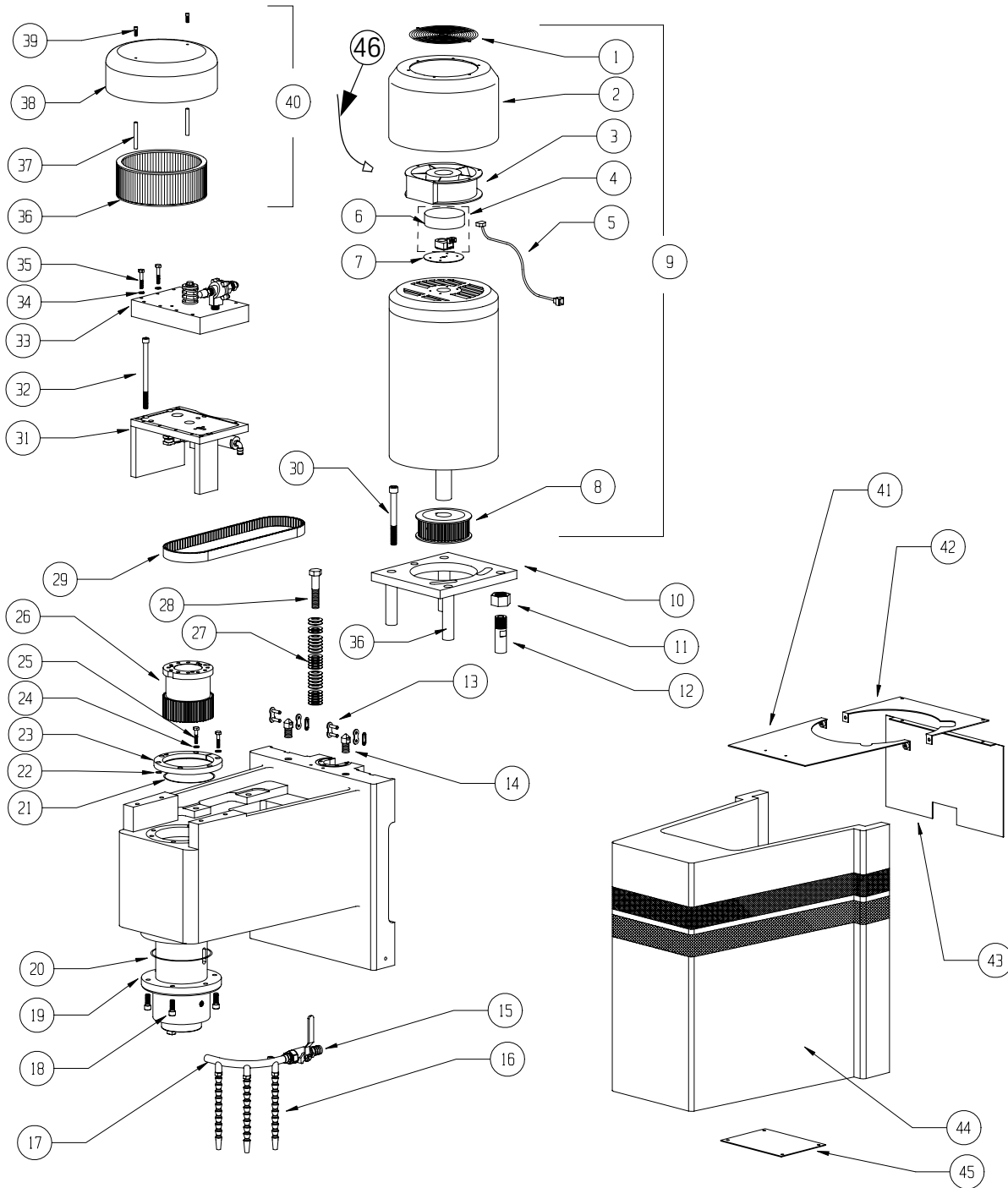
COLUMN ASSEMBLY

| | PART # | | PART # | | PART # | | PART # |
|----|-------------------------------|----|----------|----|-------------------------------|----|----------|
| 1 | WIR-0610 | 12 | HDW-0048 | 23 | CWT-0005 | 33 | HDW-0568 |
| 2 | WIR-0609 | 13 | BLS-0042 | 24 | CWT-0005 | 34 | HDW-0347 |
| 3 | MTR-0139 (GTK) ⁽¹⁾ | 14 | BRG-0023 | 25 | HDW-0600 | 35 | STM-0043 |
| 4 | CVR-0074 | 15 | BLS-0206 | 26 | CWT-0009 | 36 | HDW-0049 |
| 5 | STM-0072 | 16 | BLS-0041 | 27 | PUL-0034 | 37 | HDW-0315 |
| 6 | CVR-0072 | 17 | HDW-0297 | 28 | HDW-0777 | 38 | BLS-0009 |
| 7 | LUB-0058 | 18 | BRG-0031 | 29 | HDW-0205 | 40 | MTR-0154 |
| 8 | STM-0300 | 19 | HDW-0655 | 30 | BLS-0008 ⁽²⁾ (20") | 41 | HDW-0280 |
| 9 | STM-0301 | 20 | CWT-0007 | | BLS-0001 ⁽²⁾ (28") | 42 | HDW-0779 |
| 10 | BRG-0031 | 21 | HDW-0335 | 31 | HDW-0204 | | |
| 11 | HDW-0317 | 22 | CWT-0001 | 32 | HDW-0281 | | |

¹Baldor Motor (MTR-0141) may also be used.

²Includes BLS-0009.

7500 RPM HEAD ASSEMBLY



7500 RPM HEAD ASSEMBLY

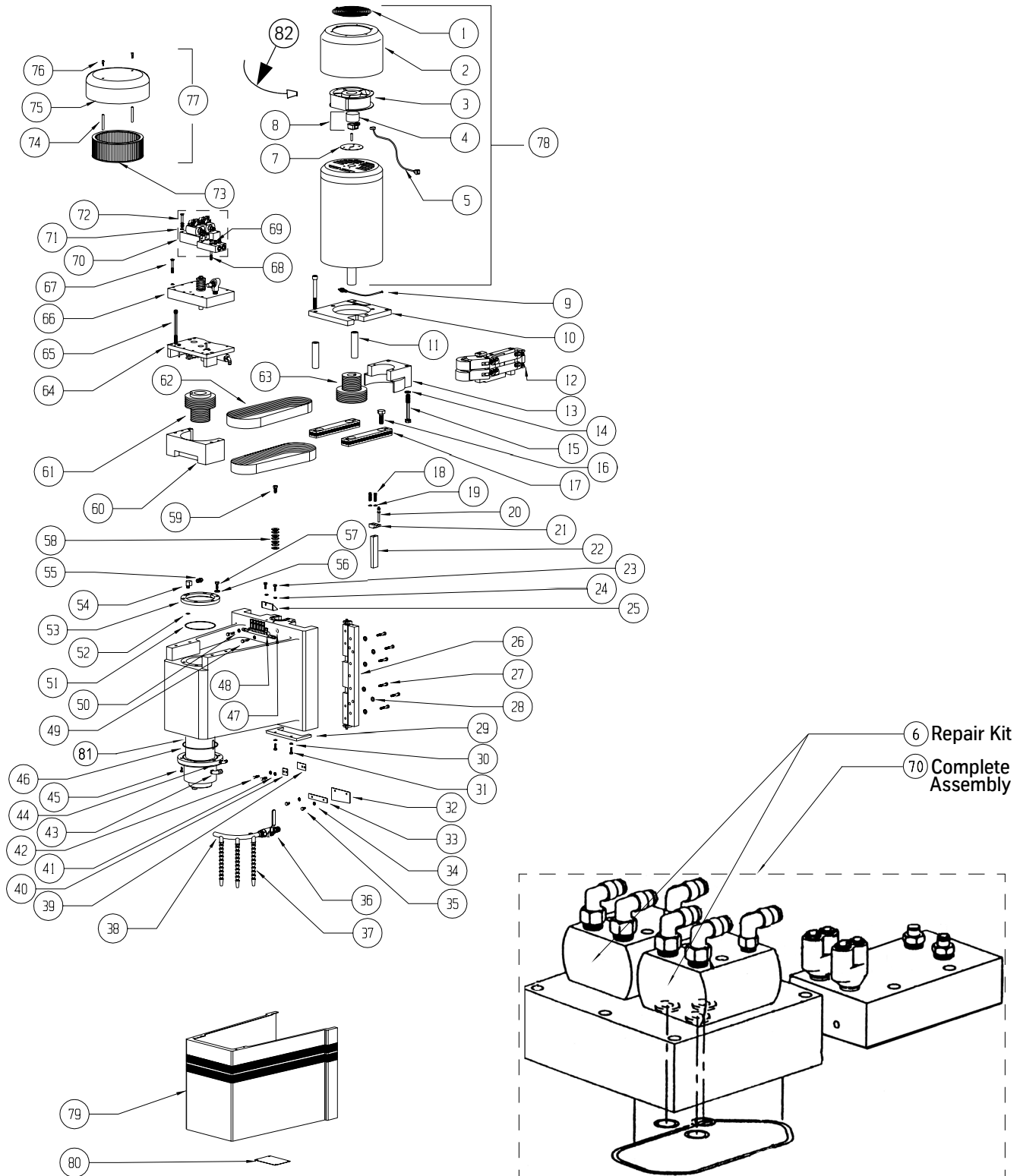
7500 RPM HEAD ASSEMBLY

| | PART # | | PART # | | PART # | | PART # |
|----|-------------------------|----|-------------------------|----|----------|----|----------|
| 1 | HDW-0851 | 13 | HDW-0204 | 25 | HDW-0568 | 37 | SVT-0108 |
| 2 | STM-0139 | 14 | CWT-0001 | 26 | PUL-0025 | 38 | STM-0467 |
| 3 | ELE-0124 | 15 | VLV-0017 | 27 | HDW-0194 | 39 | HDW-0597 |
| 4 | ENC-0007 | 16 | PLM-0016 | 28 | HDW-0560 | 40 | MTR-0128 |
| 5 | WIR-0168 | 17 | CNT-0039 | 29 | BEL-0006 | 41 | STM-0627 |
| 6 | MTR-0123 | 18 | HDW-0470 | 30 | HDW-0469 | 42 | STM-0626 |
| 7 | STM-0148 | 19 | SPN-0037 ⁽²⁾ | 31 | ORB-0000 | 43 | STM-0625 |
| 8 | PUL-0024 | 20 | HDW-0181 | 32 | HDW-0289 | 44 | CVR-0154 |
| 9 | MTR-0098 ⁽¹⁾ | 21 | HDW-0148 | 33 | DRB-0000 | 45 | STM-0064 |
| 10 | MTR-0075 | 22 | HDW-0177 | 34 | HDW-0279 | 46 | WIR-0128 |
| 11 | PLC-0042 | 23 | SPN-0042 | 35 | HDW-0320 | | |
| 12 | MTR-0090 | 24 | HDW-0275 | 36 | MTR-0076 | | |

¹MTR-0098 INCLUDES: PUL-0024.

²SPN-0037 INCLUDES: HDW-0181, HDW-0177, HDW-0148, PUL-0025.

10K RPM HEAD ASSEMBLY



10K RPM HEAD ASSEMBLY

10K RPM HEAD ASSEMBLY

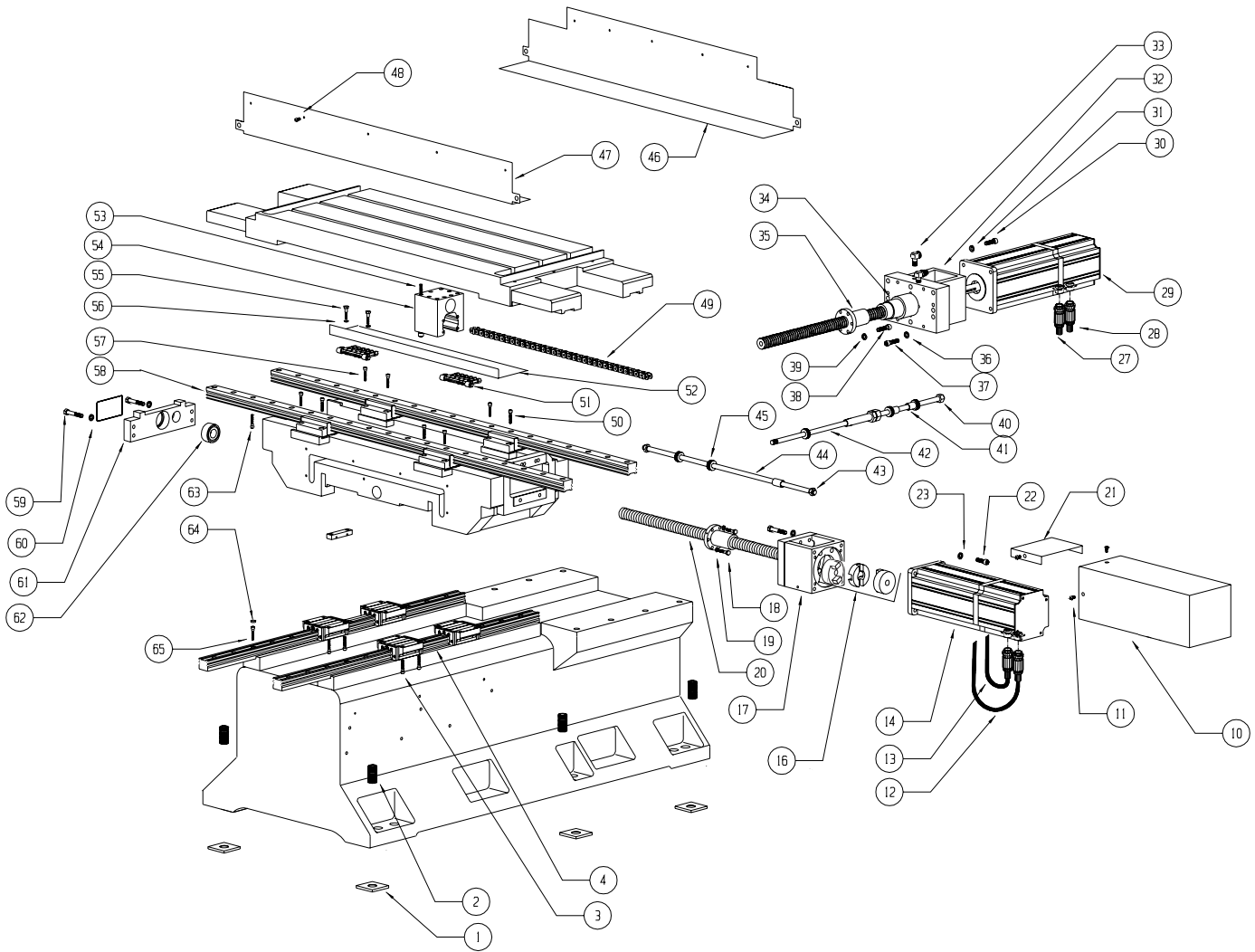
| | PART # | | PART # | | PART # |
|----|--------------|----|----------|----|-------------------------|
| 1 | HDW-0851 | 30 | HDW-0279 | 59 | HDW-0553 |
| 2 | STM-0139 | 31 | HDW-0322 | 60 | BEL-0014 |
| 3 | ELE-0124 | 32 | HDW-0356 | 61 | PUL-0018 |
| 4 | MTR-0123 | 33 | STM-0052 | 62 | BEL-0024 |
| 5 | WIR-0168 | 34 | HDW-0279 | 63 | PUL-0019 |
| 6 | HYD-0018 | 35 | HDW-0319 | 64 | ORB-0001 |
| 7 | STM-0148 | 36 | VLV-0017 | 65 | HDW-0290 |
| 8 | ENC-0007 | 37 | PLM-0016 | 66 | DRB-0000 |
| 9 | HDW-0369 | 38 | CNT-0039 | 67 | HDW-0320 |
| 10 | MTR-0070 | 39 | HDW-0294 | 68 | HDW-0321 (HT) |
| 11 | MTR-0079 | 40 | STM-0042 | 69 | HDW-0279 (HT) |
| 12 | IDL-0002 | 41 | HDW-0279 | 70 | HYD-0017 (HT) |
| | IDL-0003(HT) | | | | |
| 13 | BEL-0015 | 42 | HDW-0294 | 71 | HDW-0279 (HT) |
| 14 | HDW-0451 | 43 | PLM-0112 | 72 | HDW-0320 (HT) |
| 15 | HDW-0311 | 44 | PLM-0034 | 73 | MTR-0127 |
| 16 | HDW-0283 | 45 | HDW-0470 | 74 | SVT-0108 |
| 17 | MTR-0068 | 46 | HDW-0181 | 75 | STM-0467 |
| | MTR-0064 | | | | |
| 18 | HDW-0294 | 47 | HDW-0380 | 76 | HDW-0597 |
| 19 | HDW-0279 | 48 | LUB-0045 | 77 | MTR-0128 |
| 20 | GIB-0013 | 49 | HDW-0576 | 78 | MTR-0045 ⁽¹⁾ |
| 21 | GIB-0010 | 50 | HDW-0279 | | MTR-0048 (HT) |
| 22 | GIB-0033 | 51 | HDW-0148 | 79 | CVR-0151 |
| 23 | HDW-0320 | 52 | HDW-0177 | 80 | STM-0064 |
| 24 | HDW-0279 | 53 | SPN-0042 | 81 | SPN-0007 ⁽²⁾ |
| 25 | STM-0141 | 54 | PLM-0045 | 82 | WIR-0128 |
| 26 | GIB-0004 | 55 | PLM-0088 | | |
| 27 | HDW-0569 | 56 | HDW-0275 | | |
| 28 | HDW-0280 | 57 | HDW-0568 | | |
| 29 | CVR-0048 | 58 | HDW-0194 | | |

¹MTR-0045 INCLUDES: PUL-0019

²SPN-0007 INCLUDES: HDW-0181, HDW-0177, HDW-0148, PUL-0018.

(HT)=High Torque Option

BASE, SADDLE & TABLE ASSEMBLY



BASE, SADDLE & TABLE ASSEMBLY

TABLE ASSEMBLY-AC DRIVE

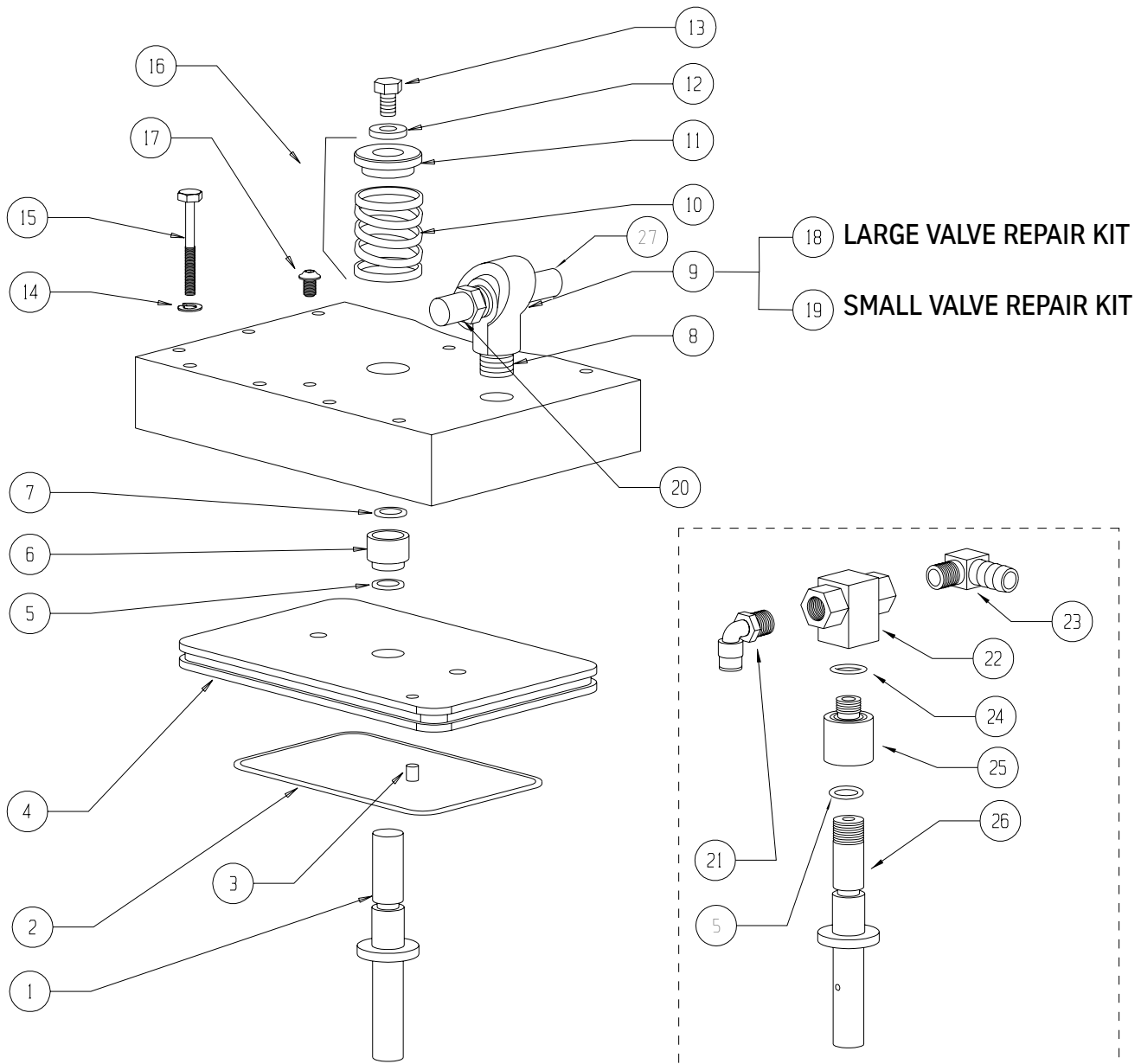
| | PART # | | PART # | | PART # | | PART # | | PART # |
|----|-------------------------------|----|-------------------------|----|-------------------------|----|----------|----|----------|
| 1 | SHP-0002 | 17 | BLS-0005 | 31 | HDW-0280 | 43 | HDW-0543 | 55 | HDW-0347 |
| 2 | HDW-0272 | 18 | HDW-0483 | 32 | BLS-0007 | 44 | BLS-0187 | 56 | OBSOLETE |
| 3 | HDW-0481 | 19 | HDW-0281 | 33 | PLM-0112 | 45 | HDW-0194 | 57 | HDW-0572 |
| 4 | BRG-0031 | 20 | BLS-0004 ⁽³⁾ | 34 | CVR-0000 | 46 | STM-0227 | 58 | BRG-0031 |
| | | 21 | STM-0163 | 35 | BLS-0000 ⁽³⁾ | 47 | STM-0468 | 59 | HDW-0286 |
| 10 | STM-0590 | 22 | HDW-0779 | 36 | HDW-0444 | 48 | HDW-0581 | 60 | HDW-0049 |
| 11 | HDW-0349 | 23 | HDW-0280 | 37 | HDW-0564 | 49 | CVR-0038 | 61 | BLS-0139 |
| 12 | WIR-0608 | | | 38 | HDW-0603 | 50 | HDW-0572 | 62 | BRG-0021 |
| 13 | WIR-0607 | 27 | WIR-0609 | 39 | HDW-0472 | 51 | LUB-0058 | 63 | HDW-0279 |
| 14 | MTR-0139 (GTK) ⁽¹⁾ | 28 | WIR-0610 | 40 | HDW-0543 | 52 | STM-0518 | 64 | BRG-0032 |
| | | 29 | MTR-0139 | 41 | HDW-0136 | 53 | HDW-0572 | 65 | HDW-0279 |
| 16 | MTR-0154 ⁽²⁾ | 30 | HDW-0779 | 42 | BLS-0187 | 54 | BLS-0075 | | |

¹Baldor Motor (MTR-0141) may also be used.

²Part of X and Y axes.

³Complete ballscrew assembly with bearing mount.

DRAWBAR CYLINDER ASSEMBLY



Non-Coolant Thru Assembly DRB-0000

Coolant Thru Assembly DRB-0001

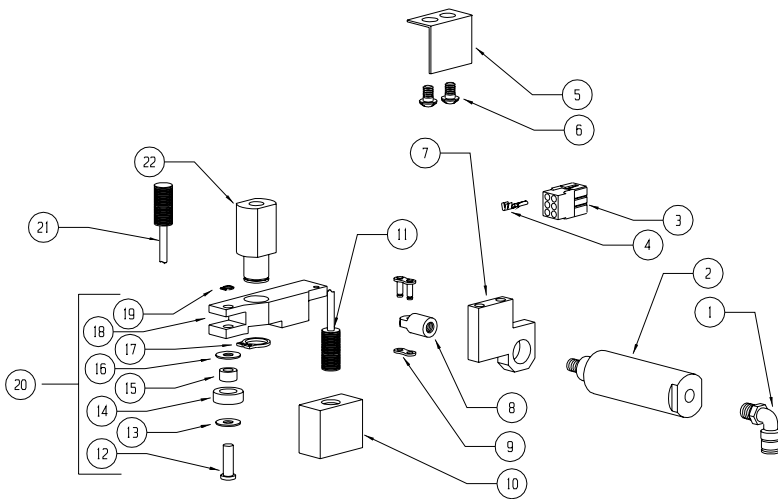
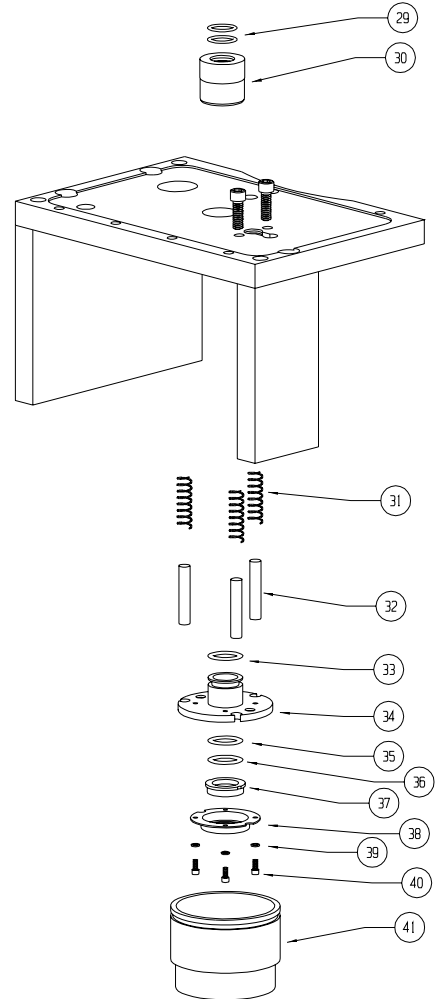
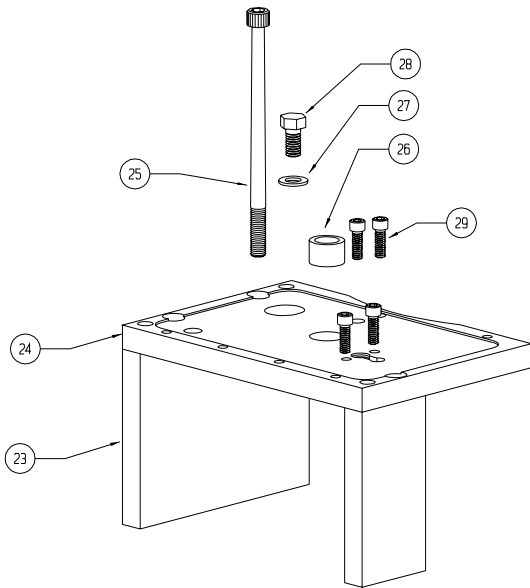
DRAWBAR CYLINDER ASSEMBLY

DRAWBAR CYLINDER ASSEMBLY

| | PART # | | PART # | | PART # | | PART # |
|---|-------------------------|----|----------|----|----------|----|----------|
| 1 | DRB-0007 | 8 | PLM-0117 | 15 | HDW-0320 | 22 | VLV-0021 |
| 2 | HDW-0178 | 9 | VLV-0031 | 16 | HDW-0197 | 23 | PLM-0105 |
| 3 | ELE-0147 | 10 | HDW-0262 | 17 | HDW-0347 | 24 | HDW-0150 |
| 4 | DRB-0009 ⁽¹⁾ | 11 | DRB-0017 | 18 | VLV-0032 | 25 | CNT-0046 |
| 5 | HDW-0177 | 12 | HDW-0048 | 19 | VLV-0033 | 26 | DRB-0008 |
| 6 | DRB-0023 | 13 | HDW-0575 | 20 | PLM-0083 | 27 | PLM-0030 |
| 7 | HDW-0917 | 14 | HDW-0279 | 21 | PLM-0037 | | |

¹Includes ELE-0147

ORIENTATION BRIDGE ASSEMBLY



ORIENTATION BRIDGE ASSEMBLY

ORIENTATION BRIDGE ASSEMBLIES

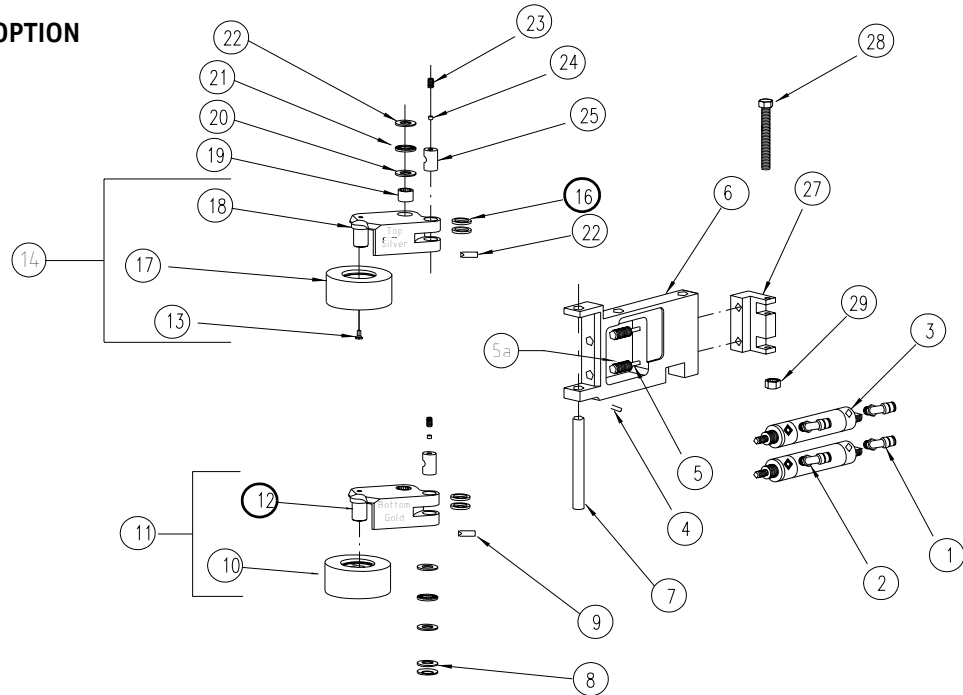
| | PART # | | PART # | | PART # | | PART # |
|----|-------------------------|----|-------------------------|----|----------|----|----------|
| 1 | PLM-0034 | 14 | ORB-0009 | 27 | HDW-0048 | 39 | HDW-0453 |
| 2 | CYL-0007 | 15 | BRG-0014 | 28 | HDW-0298 | 40 | HDW-0308 |
| 3 | WIR-0051 | 16 | HDW-0515 | 29 | HDW-0150 | 41 | CNT-0140 |
| 4 | WIR-0043 (16 AWG) | 17 | HDW-0725 | 30 | CNT-0042 | | |
| | WIR-0044 (16 AWG) | | | | | | |
| | WIR-0544 (22 AWG) | | | | | | |
| | WIR-0056 (22 AWG) | | | | | | |
| 5 | STM-0596 | 18 | ORB-0031 | 31 | HDW-0257 | | |
| 6 | HDW-0347 | 19 | HDW-0726 | 32 | HDW-0326 | | |
| 7 | ORB-0030 ⁽¹⁾ | 20 | ORB-0004 | 33 | HDW-1102 | | |
| 8 | ORB-0011 | 21 | ELE-1202 | 34 | CNT-0041 | | |
| 9 | HDW-0209 | 22 | ORB-0013 ⁽²⁾ | | | | |
| 10 | ORB-0014 | 23 | ORB-0022 | 35 | HDW-0917 | | |
| 11 | ELE-0145 | 24 | ORB-0008 | 36 | HDW-0917 | | |
| 12 | ORB-0007 | 25 | HDW-0571 | 37 | CNT-0033 | | |
| 13 | HDW-0515 | 26 | BRG-0008 | 38 | CNT-0045 | | |

¹VMCs with Non-Locking Drawbar require ORB-0029

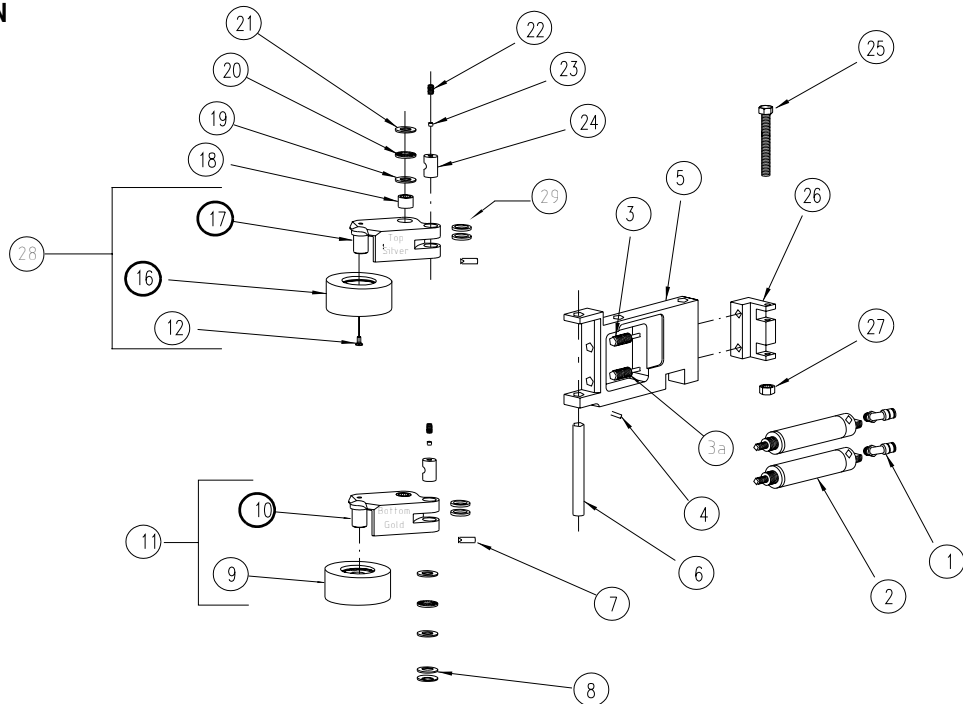
²VMCs with Non-Locking Drawbar require ORB-0012

IDLER ASSEMBLY

RIGID TAP/HIGH TORQUE OPTION



10,000 RPM OPTION



IDLER ASSEMBLY

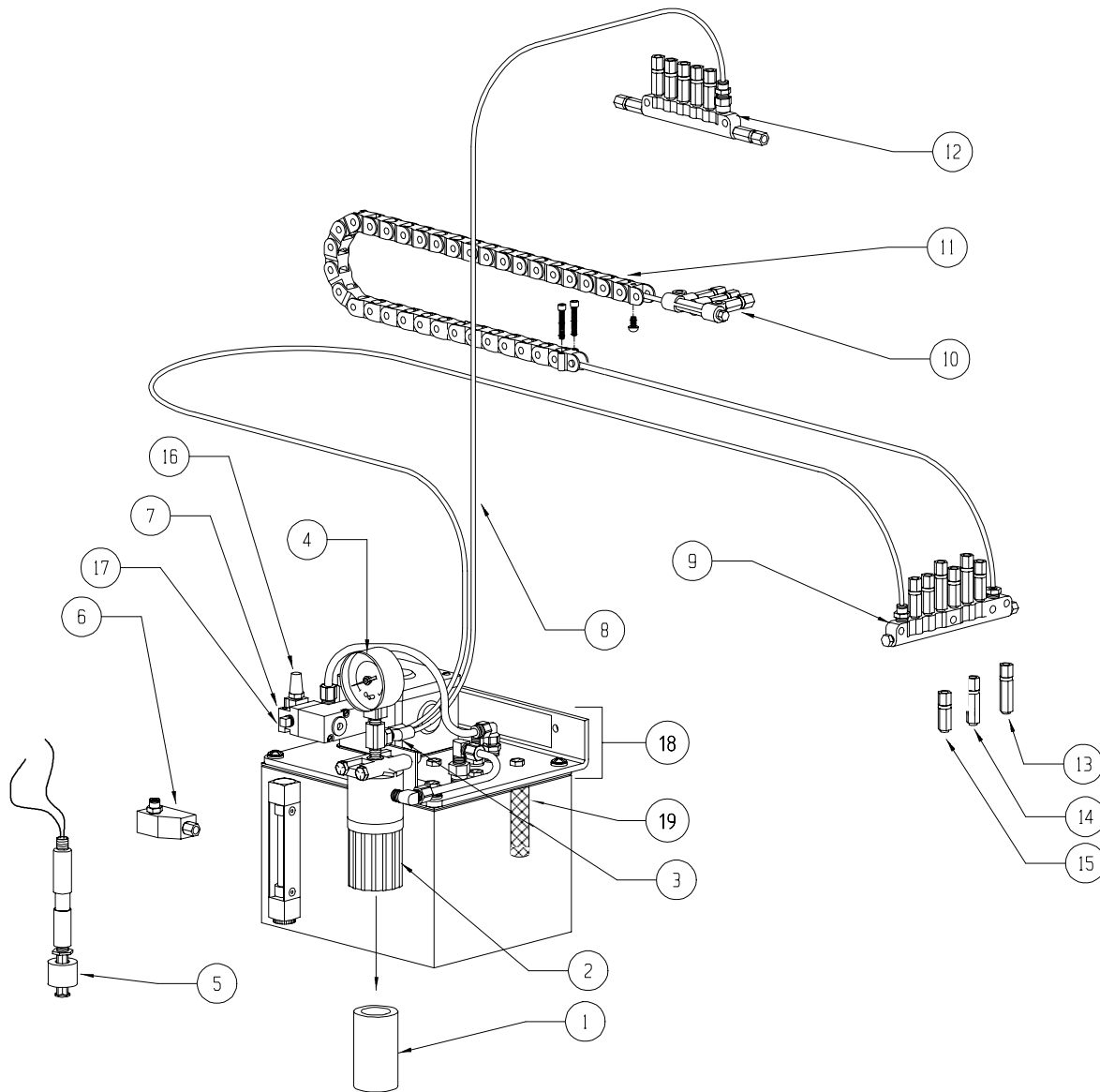
RIGID TAP/HIGH TORQUE OPTION

| | PART # | | PART # | | PART # |
|----|----------|----|----------|----|----------|
| 1 | PLM-0034 | 10 | BRG-0058 | 21 | BRG-0015 |
| 2 | PLM-0034 | 11 | IDL-0000 | 22 | ELE-0147 |
| 3 | CYL-0005 | 12 | IDL-0004 | 23 | HDW-0412 |
| 4 | HDW-0612 | 13 | HDW-0412 | 24 | IDL-0010 |
| 5 | ELE-0145 | 14 | IDL-0018 | 25 | IDL-0012 |
| 5a | ELE-1202 | 16 | HDW-0277 | | |
| 6 | IDL-0011 | 17 | BRG-0058 | 27 | IDL-0009 |
| 7 | IDL-0006 | 18 | IDL-0005 | 28 | HDW-0579 |
| 8 | HDW-0196 | 19 | BRG-0017 | 29 | HDW-0643 |
| 9 | ELE-0147 | 20 | BRG-0016 | | |

10,000 RPM OPTION

| | PART # | | PART # | | PART # |
|----|----------|----|----------|----|----------|
| 1 | PLM-0034 | 10 | IDL-0004 | 21 | BRG-0016 |
| 2 | CYL-0006 | 11 | IDL-0000 | 22 | HDW-0412 |
| 3 | ELE-0145 | 12 | HDW-0605 | 23 | IDL-0010 |
| 3a | ELE-1202 | | | 24 | IDL-0012 |
| 4 | HDW-0612 | | | 25 | HDW-0579 |
| 5 | IDL-0011 | 16 | BRG-0058 | 26 | IDL-0008 |
| 6 | IDL-0006 | 17 | IDL-0005 | 27 | HDW-0643 |
| 7 | ELE-0147 | 18 | BRG-0017 | 28 | IDL-0018 |
| 8 | HDW-0196 | 19 | BRG-0016 | 29 | HDW-0277 |
| 9 | BRG-0058 | 20 | BRG-0015 | | |

WAY LUBE ASSEMBLY



WAY LUBE ASSEMBLY

| | PART # | | PART # | | PART # | | PART # |
|---|----------|----|----------|----|----------|----|----------|
| 1 | LUB-0049 | 7 | VLV-0028 | 13 | LUB-0085 | 19 | HDW-1039 |
| 2 | LUB-0050 | 8 | PLM-0022 | 14 | LUB-0084 | | |
| 3 | PLM-0048 | 9 | LUB-0041 | 15 | LUB-0083 | | |
| 4 | REG-0018 | 10 | LUB-0044 | 16 | PLM-0084 | | |
| 5 | LUB-0036 | 11 | CVR-0041 | 17 | PLM-0036 | | |
| 6 | LUB-0051 | 12 | LUB-0045 | 18 | LUB-0038 | | |



This page intentionally left blank.



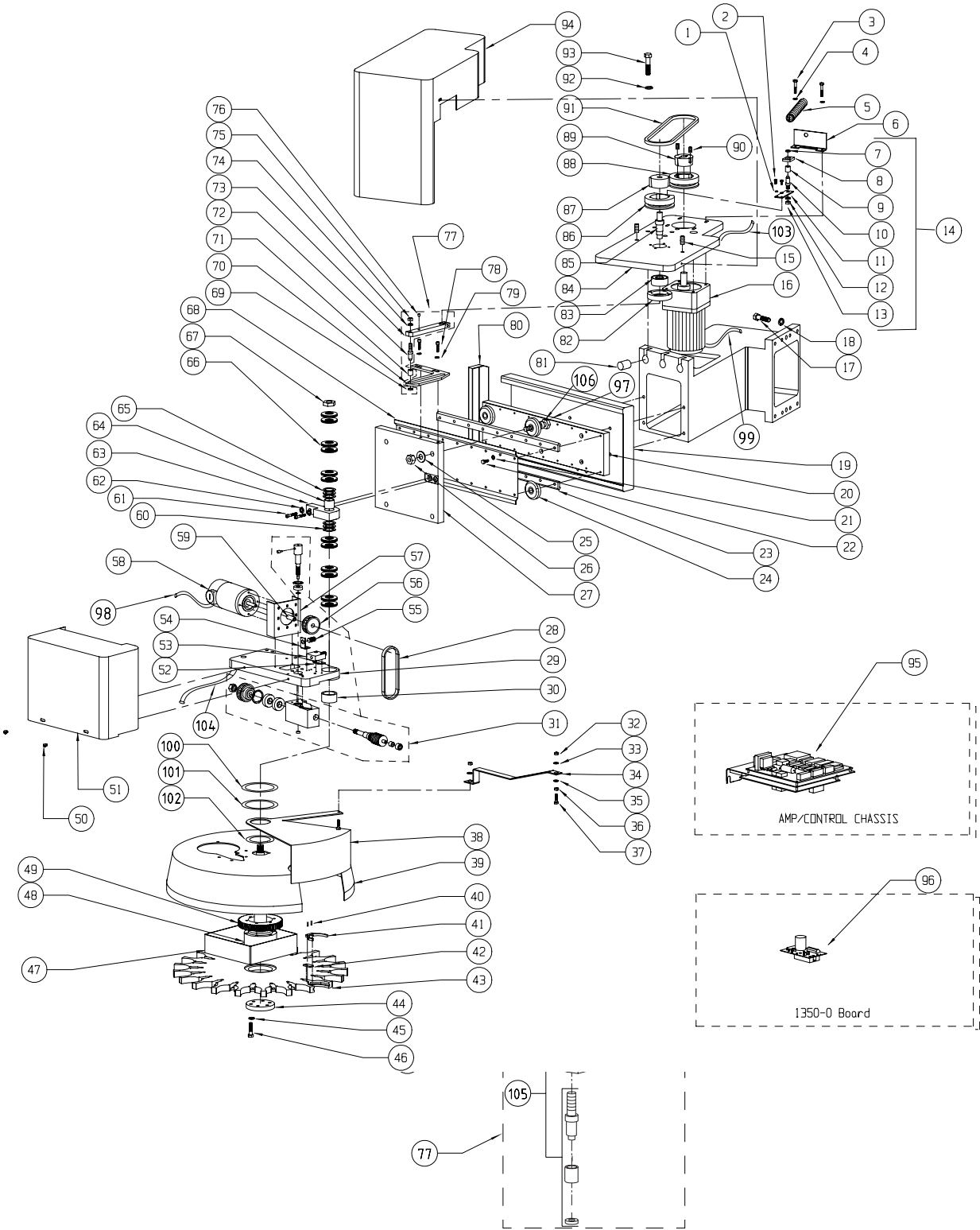
GENEVA DRIVE ATC ASSEMBLY

GENEVA DRIVE ATC ASSEMBLY

| | PART # | | PART # | | PART # | | PART # | | PART # |
|----|----------|----|---------------|----|-----------------|----|----------|-----|-------------------------|
| 1 | HDW-0458 | 21 | HDW-0279 | 41 | ATC-0027 | 61 | MTR-0134 | 82 | ATC-0035 |
| 2 | HDW-0304 | 22 | HDW-0322 | 42 | ATC-0025 (21) | 62 | HDW-0317 | 83 | BLS-0040 |
| 3 | HDW-0582 | 23 | BRG-0034 | | ATC-0026 (30) | 63 | HDW-0281 | 84 | BRG-0006 |
| 4 | HDW-0279 | 24 | BRG-0033 | 43 | HDW-0328 | 64 | * | 85 | ATC-0076 |
| 5 | HDW-0259 | 25 | HDW-0051 | 44 | ATC-0028 (CAT) | 65 | BRG-0011 | 86 | PUL-0029 |
| 6 | STM-0291 | 26 | HDW-0634 | | ATC-0029 (BT) | 66 | BRG-0010 | 87 | PUL-0031 |
| 7 | HDW-0443 | 27 | * | 45 | ATC-0032 | 67 | HDW-0193 | 88 | PUL-0002 |
| 8 | ATC-0077 | 28 | BRG-0009 | 46 | ATC-0009 (21) | 68 | HDW-0637 | 89 | PUL-0003 |
| 9 | BRG-0013 | 29 | HDW-0771 | | ATC-0010 (21BT) | 69 | STM-0062 | 90 | HDW-0400 |
| 10 | ATC-0078 | 30 | ELE-0385 | | ATC-0011 (30) | 70 | HDW-0047 | 91 | BEL-0001 |
| 11 | STM-0290 | 31 | STM-0615 | | ATC-0012 (30BT) | 71 | ATC-0017 | 92 | HDW-0451 |
| 12 | HDW-0454 | 32 | BRG-0012 | 47 | ATC-0031 | 72 | BRG-0013 | 93 | HDW-0786 |
| 13 | HDW-0640 | 33 | HDW-0643 | 48 | HDW-0280 | 73 | ATC-0021 | 94 | STM-0302 |
| 14 | ATC-0013 | 34 | HDW-0443 | 49 | HDW-0313 | 74 | ATC-0020 | 95 | ATC-0059 |
| 15 | ELE-1202 | 35 | STM-0119 | 50 | ATC-0023 | 75 | HDW-0280 | 96 | HDW-0357 .062 |
| 16 | MTR-0133 | 36 | HDW-0443 | 51 | ELE-0786 | 76 | HDW-0333 | | HDW-0358 .005 |
| 17 | HDW-0310 | 37 | HDW-0336 | 52 | HDW-0583 | 77 | ELE-0147 | | HDW-0359 .010 |
| 18 | HDW-0451 | 38 | HDW-0318 | 53 | HDW-0279 | 78 | ATC-0006 | 97 | ATC-0033 |
| 19 | STM-0061 | 39 | STM-0033 (30) | 54 | STM-0292 | 79 | HDW-0575 | 98 | WIR-0724 |
| 20 | ATC-0030 | | STM-0031 (21) | 55 | HDW-0347 | 80 | HDW-0387 | 99 | WIR-0723 |
| | | 40 | STM-0032 (30) | 56 | * | 81 | STM-0063 | 100 | WIR-0648 ⁽¹⁾ |
| | | | STM-0030 (21) | 57 | ELE-0145 | | | 101 | WIR-0647 ⁽¹⁾ |
| | | | | 58 | ATC-0074 | | | 102 | ATC-0169 |
| | | | | 59 | HDW-0279 | | | 103 | ATC-0093 |
| | | | | 60 | HDW-0319 (3) | | | * | Sold as Assembly |
| | | | | | HDW-0295 (1) | | | | ATC-0004 (21) |
| | | | | | | | | | ATC-0005 (30) |

¹Quick disconnect type.

SERVO DRIVE ATC ASSEMBLY



SERVO DRIVE ATC ASSEMBLY

SERVO DRIVE ATC ASSEMBLY

| | PART # | | PART # | | PART # | | PART # | | PART # |
|----|----------|----|---------------|----|-----------------|----|---------------|-----|------------------|
| 1 | HDW-0458 | 21 | HDW-0279 | 41 | ATC-0029 (BT) | 61 | HDW-0317 | 86 | PUL-0029 |
| 2 | HDW-0304 | 22 | HDW-0322 | | ATC-0028 (CAT) | 62 | HDW-0281 | 87 | PUL-0031 |
| 3 | HDW-0582 | 23 | BRG-0034 | 42 | ATC-0032 | 63 | * | 88 | PUL-0002 |
| 4 | HDW-0279 | 24 | BRG-0033 | 43 | ATC-0009 (21) | 64 | BRG-0011 | 89 | PUL-0003 |
| 5 | HDW-0259 | 25 | HDW-0051 | | ATC-0010 (21BT) | 65 | BRG-0010 | 90 | HDW-0400 |
| 6 | STM-0291 | 26 | HDW-0634 | | ATC-0011 (30) | 66 | HDW-0193 | 91 | BEL-0001 |
| 7 | HDW-0443 | 27 | * | | ATC- 0012 (30) | 67 | HDW-0637 | 92 | HDW-0451 |
| 8 | ATC-0077 | 28 | BEL-0018 | 44 | ATC-0031 | 68 | STM-0062 | 93 | HDW-0789 |
| 9 | BRG-0013 | 29 | * | 45 | HDW-0280 | 69 | HDW-0047 | 94 | STM-0302 |
| 10 | ATC-0078 | 30 | BRG-0012 | 46 | HDW-0313 | 70 | ATC-0017 | 95 | PCB-0108 |
| 11 | STM-0290 | 31 | ATC-0016 | 47 | STM-0144 (21) | 71 | BRG-0013 | 96 | PCB-0173 |
| 12 | HDW-0454 | 32 | HDW-0643 | | ATC-0091 (30) | 72 | ATC-0021 | 97 | ATC-0033 |
| 13 | HDW-0640 | 33 | HDW-0443 | 48 | ATC-0027 | 73 | ATC-0020 | 98 | WIR-0724 |
| 14 | ATC-0013 | 34 | STM-0019 | 49 | ATC-0036 (21) | 74 | HDW-0280 | 99 | WIR-0723 |
| 15 | ELE-1202 | 35 | HDW-0443 | | ATC-0037 (30) | 75 | HDW-0333 | 100 | HDW-0357 .062 |
| 16 | MTR-0133 | 36 | HDW-0336 | 50 | HDW-0347 | 76 | ELE-0147 | 101 | HDW-0358 .005 |
| 17 | HDW-0310 | 37 | HDW-0318 | 51 | STM-0292 | 77 | ATC-0006 | 102 | HDW-0359 .010 |
| 18 | HDW-0451 | 38 | STM-0033 (30) | 52 | STM-0615 | 78 | HDW-0575 | 103 | WIR-0647 |
| 19 | STM-0061 | | STM-0031 (21) | 53 | ELE-0385 | 79 | HDW-0387 | 104 | WIR-0649 |
| 20 | ATC-0030 | 39 | STM-0032 (30) | 54 | STM-0147 | 80 | STM-0063 | 105 | ATC-0169 |
| | | | STM-0030 (21) | 55 | ELE-0145 | 81 | ATC-0035 | 106 | ATC-0093 |
| | | 40 | HDW-0328 | 56 | PUL-0008 | 82 | BLS-0040 | | |
| | | | | 57 | ATC-0088 | 83 | BRG-0006 | | |
| | | | | 58 | MTR-0144 | 84 | ATC-0058 (21) | * | Sold as Assembly |
| | | | | 59 | OBSOLETE | | ATC-0059 (30) | | ATC-0056 (21) |
| | | | | 60 | BRG-0009 | 85 | ATC-0076 | | ATC-0055 (30) |

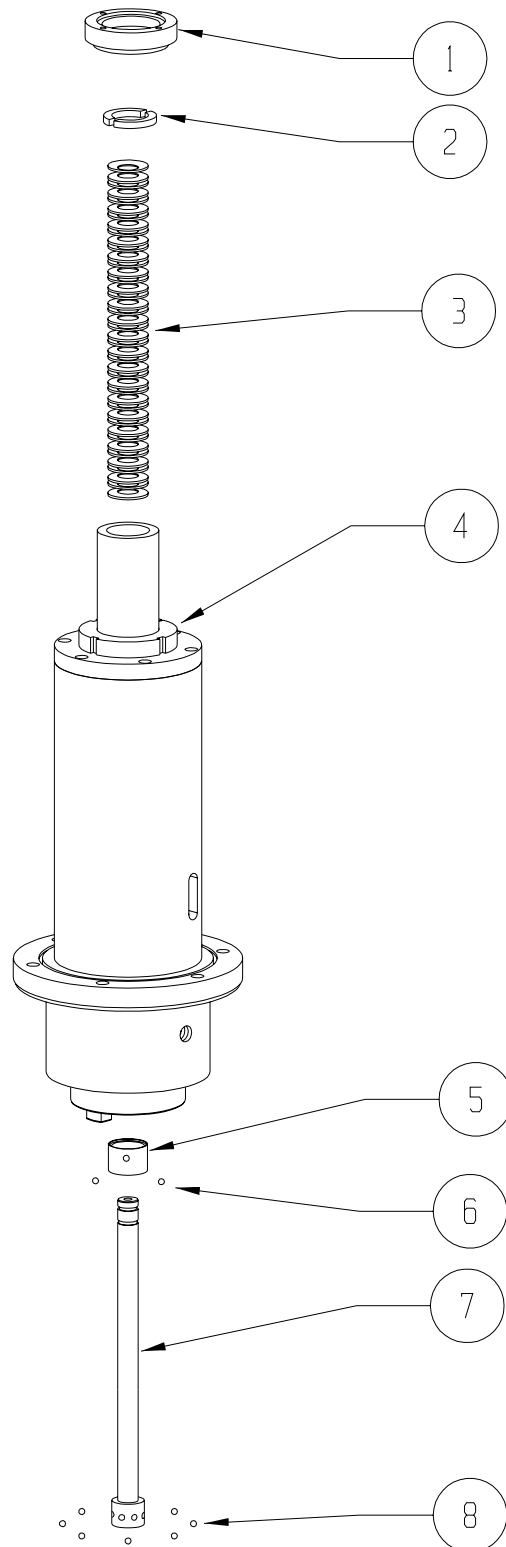
7500 RPM SPINDLE ASSEMBLY

7500 RPM SPINDLE ASSEMBLY

| | PART # |
|------------------------------|-------------------------|
| 1 | SPN-0079 |
| 2 | DRB-0019 |
| 3 | HDW-0195 |
| 4 | SPN-0084 |
| 5 | DRB-0004 |
| 6 | BRG-0005 |
| 7 | DRB-0028 ⁽¹⁾ |
| 8 | BRG-0005 |
| ASSY SPN-0037 ⁽²⁾ | |

¹Not sold individually. Sold as assembly DRB-0030 (includes DRB-0028 and SPN-0079)

²Assembly includes all parts listed on this page plus PUL-0025



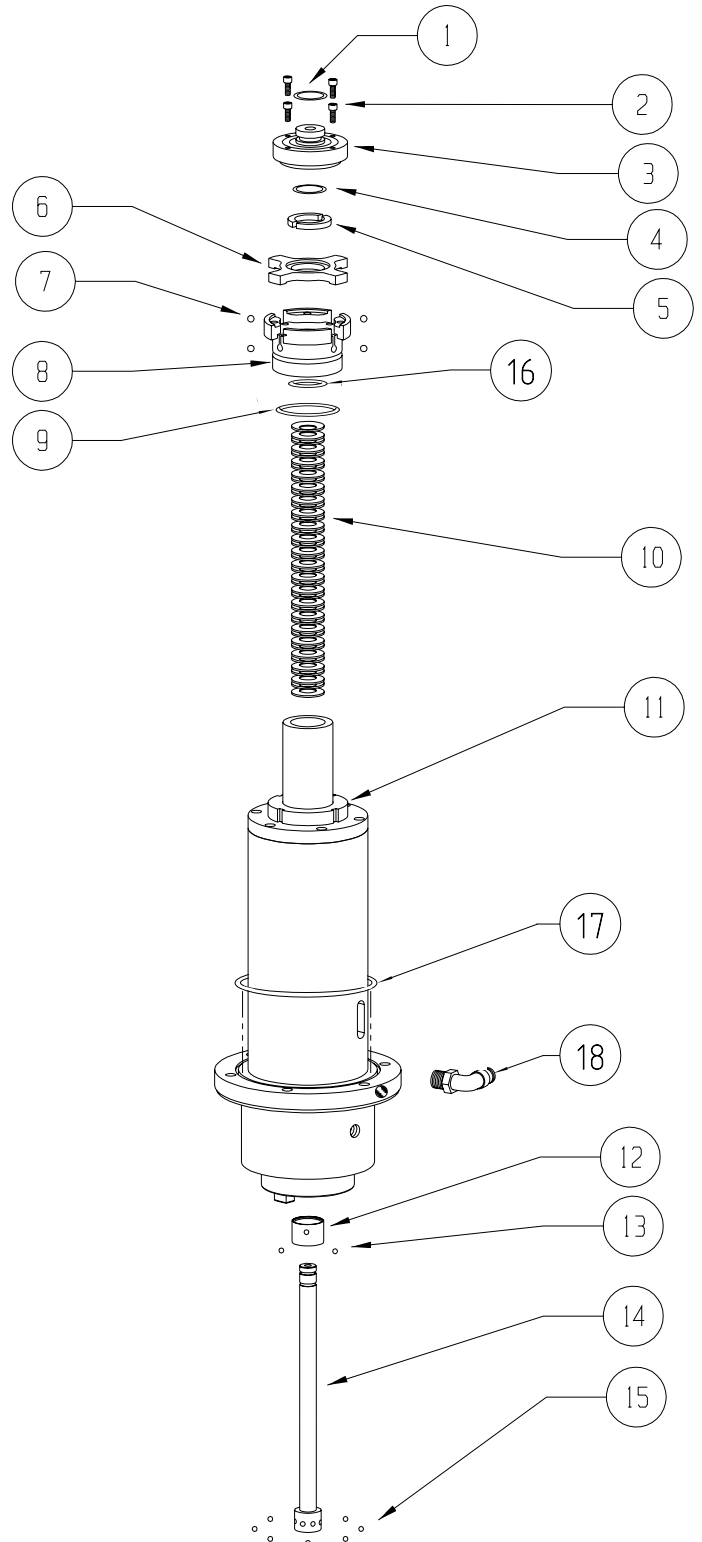
10K RPM SPINDLE ASSEMBLY

10,000 RPM SPINDLE ASSEMBLY

| | PART # |
|------------------------------|-------------------------|
| 1 | HDW-0177 |
| 2 | HDW-0307 |
| 3 | DRB-0015 |
| 4 | HDW-0180 |
| 5 | DRB-0019 |
| 6 | DRB-0014 |
| 7 | BRG-0004 |
| 8 | DRB-0016 |
| 9 | HDW-0158 |
| 10 | HDW-0195 |
| 11 | SPN-0084 |
| 12 | DRB-0004 |
| 13 | BRG-0005 |
| 14 | DRB-0026 ⁽¹⁾ |
| 15 | BRG-0005 |
| 16 | HDW-0155 |
| 17 | HDW-0181 |
| 18 | PLM-0034 |
| ASSY SPN-0007 ⁽²⁾ | |

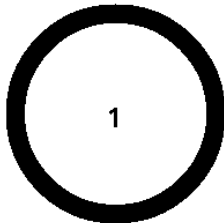
¹Not sold separately. Sold with assembly DRB-0003 (includes pieces 1-9, 14 & 15).

²Assembly includes all parts listed on this page plus PUL-0020.



COOLANT THROUGH SPINDLE

CNT-0015, Coolant-thru Seal Conversion Kit
 CNT-0150, Seal Repair Kit



1
HDW-0158



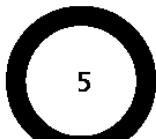
2
HDW-0177



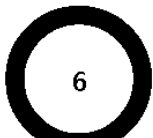
3
HDW-0150



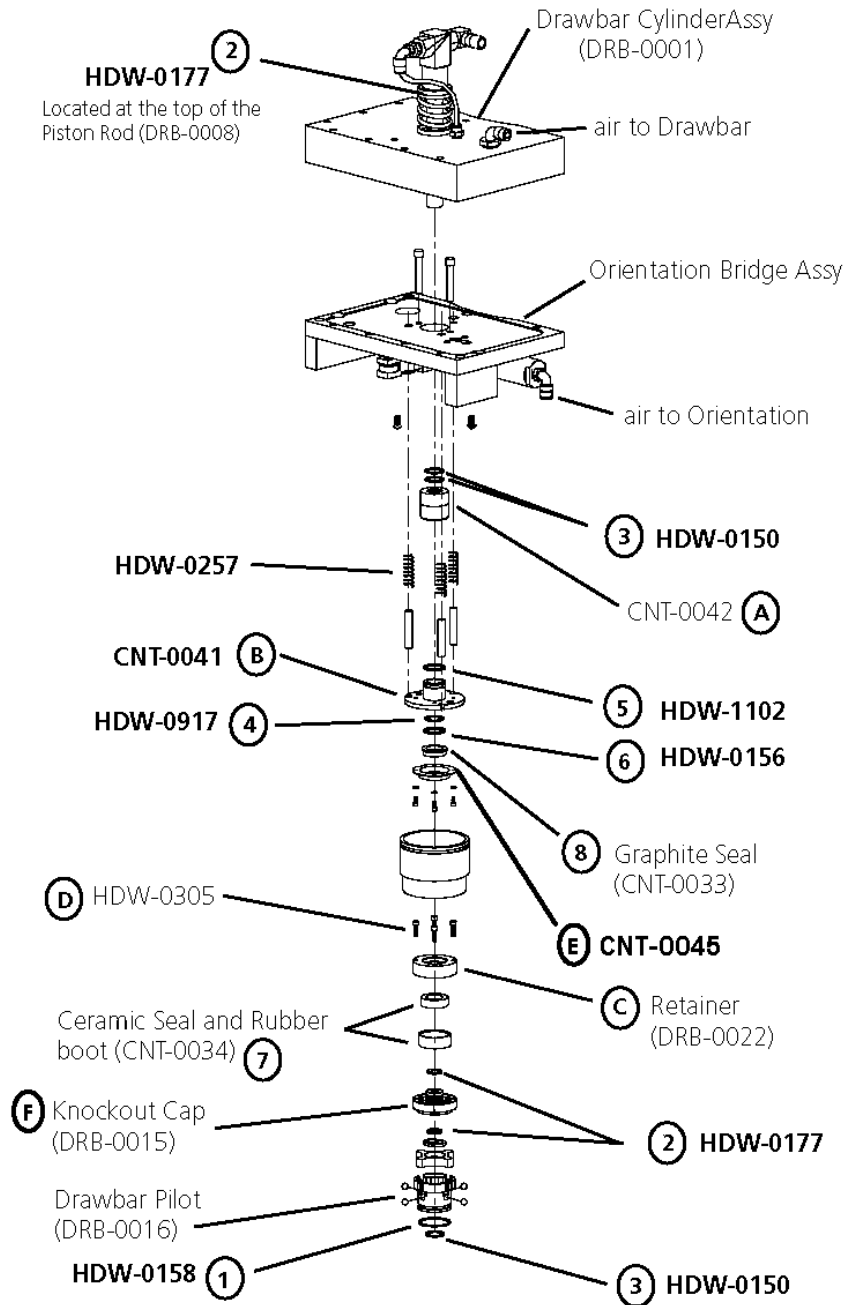
4
HDW-0917



5
HDW-1102

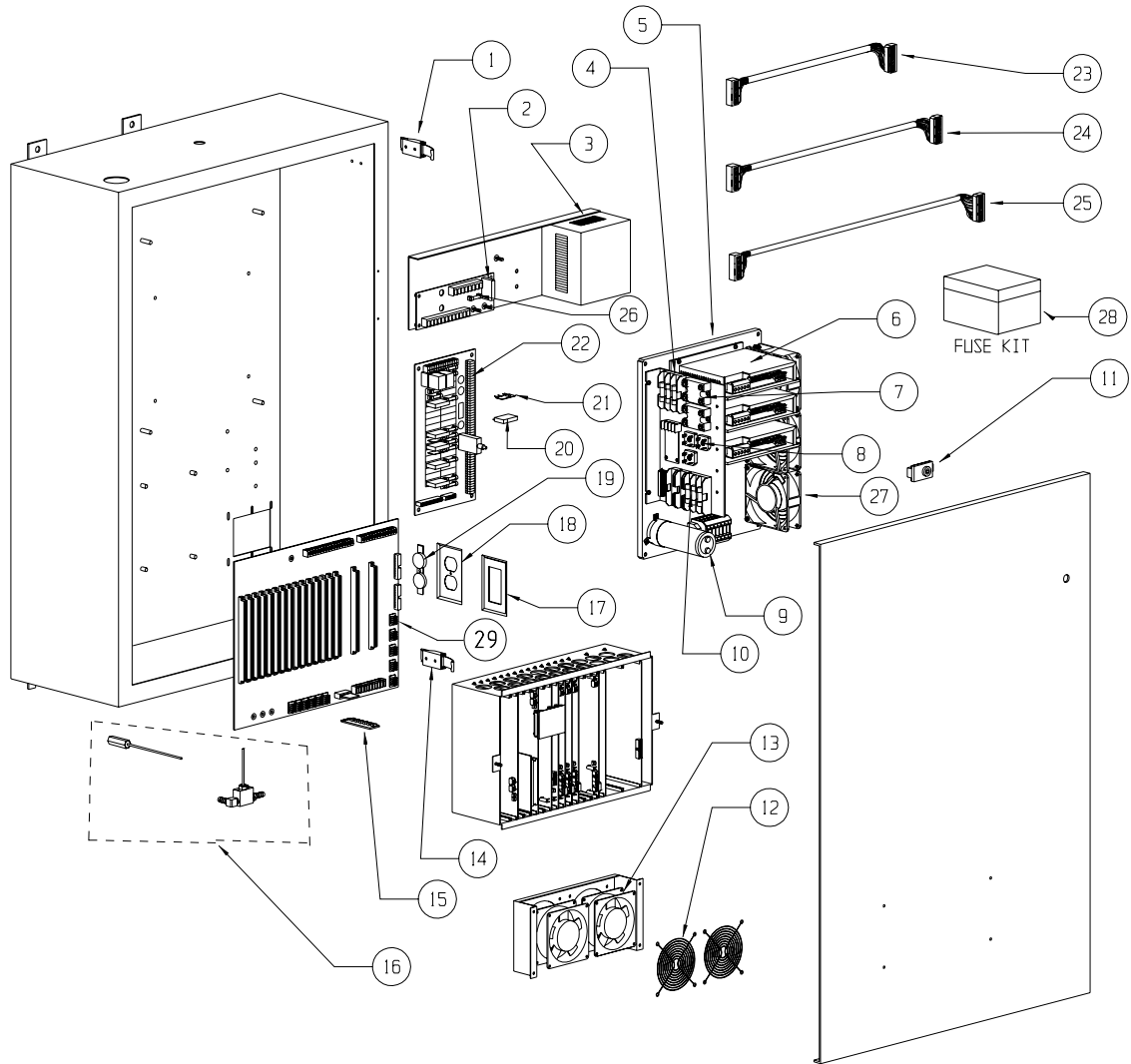


6
HDW-0156



CNT-0150 O-RINGS AND SEALS ONLY (1-8)
 CNT-0015 FOR CONVERTING OLDER MODELS (1-8 AND A-F)

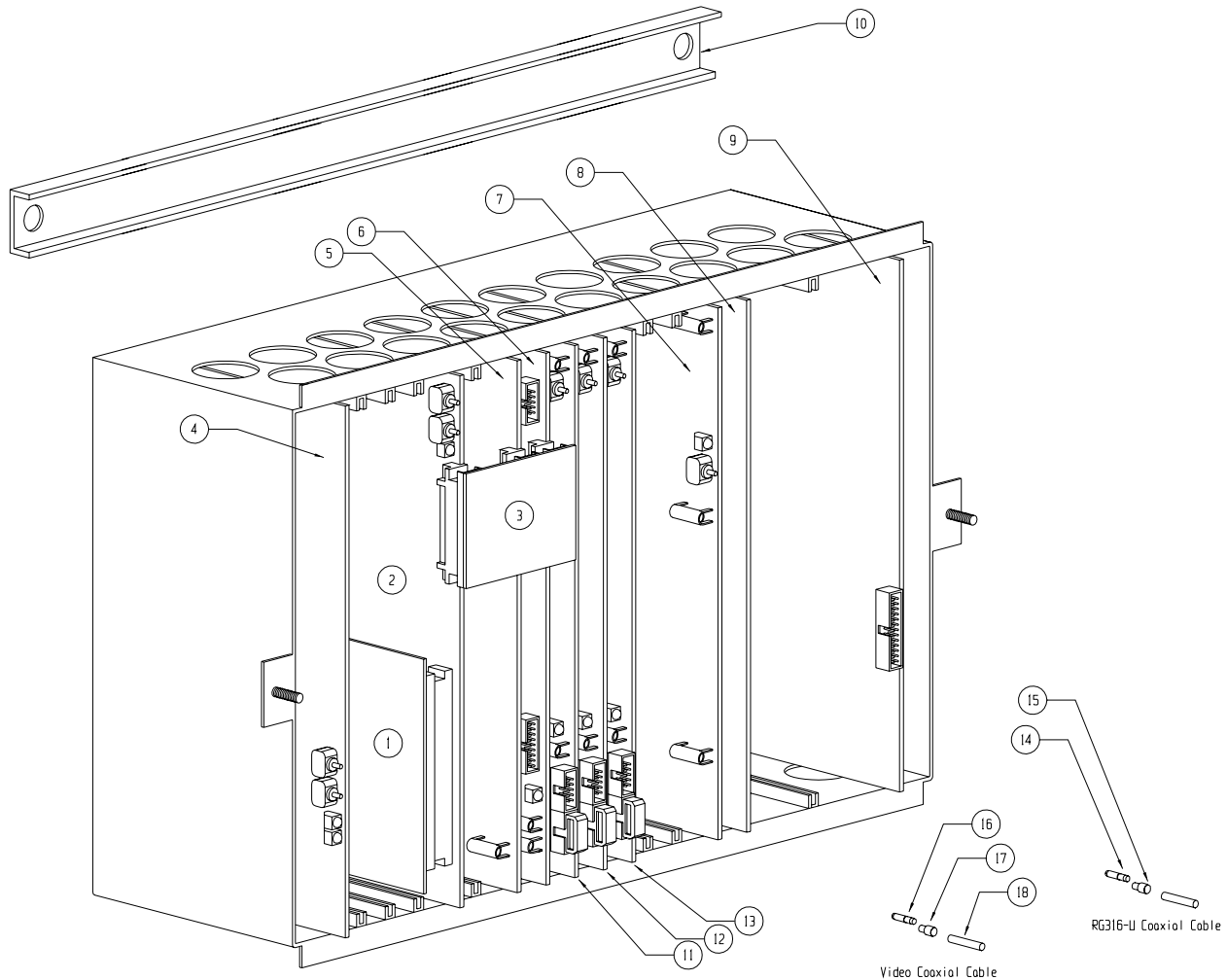
CNC CABINET ASSEMBLY



CNC CABINET ASSEMBLY

| | PART # | | PART # | | PART # | | PART # |
|---|----------------|----|----------|----|----------|----|----------|
| 1 | HDW-0220 | 8 | ELE-0828 | 15 | PCB-0010 | 22 | PCB-0194 |
| 2 | ELE-0071 | 9 | AMP-0036 | 16 | CNT-0022 | 23 | WIR-0161 |
| 3 | ELE-0961 | 10 | ELE-0840 | 17 | WIR-0120 | 24 | WIR-0163 |
| 4 | ELE-0837 | 11 | HDW-0221 | 18 | WIR-0120 | 25 | WIR-0174 |
| 5 | AMP-0028 (GTK) | 12 | HDW-0850 | 19 | WIR-0121 | 26 | ELE-0046 |
| | AMP-0033 (AMC) | 13 | ELE-0123 | 20 | ELE-0070 | 27 | ELE-0123 |
| 6 | AMP-0029 (GTK) | 14 | HDW-0217 | 21 | ELE-0101 | 28 | ELE-0106 |
| | AMP-0034 (AMC) | | | | | 29 | PCB-0009 |
| 7 | ELE-0074 | | | | | | |

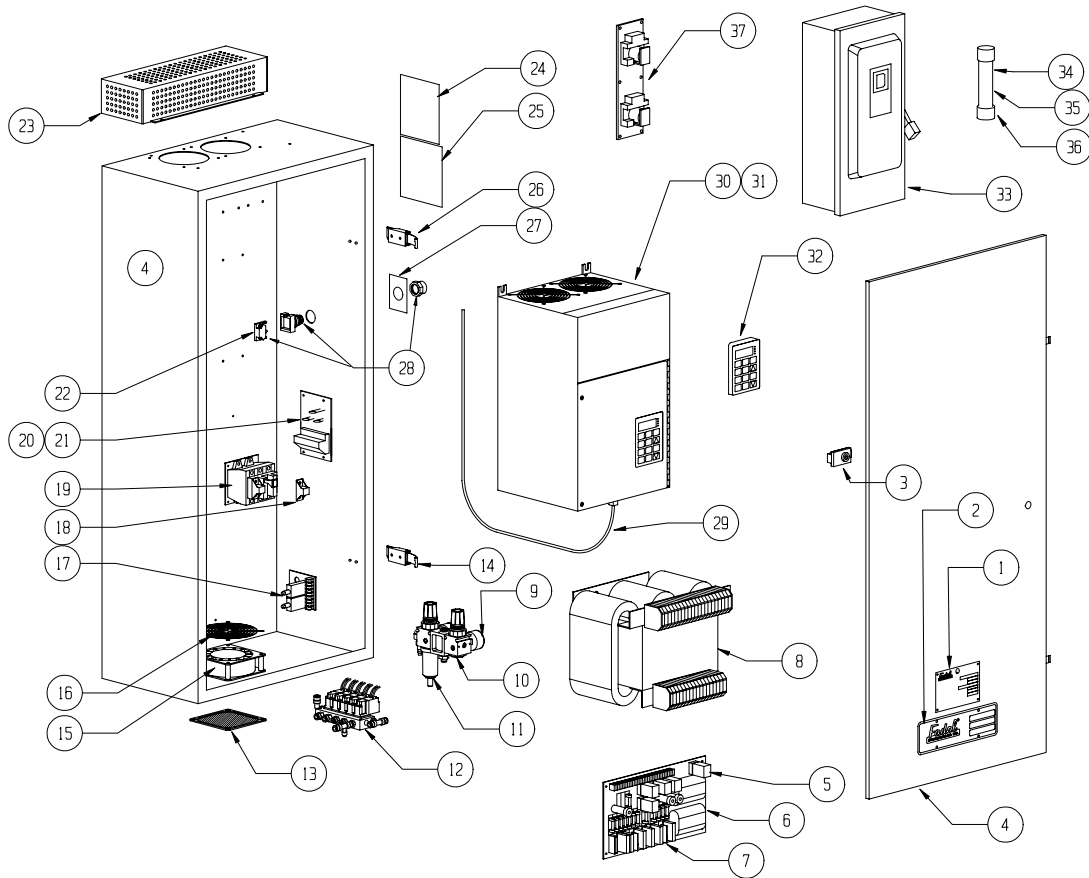
CARD CAGE ASSEMBLY



| | PART # | | PART # |
|---|-----------------|----|----------|
| 1 | PCB-0094 | 10 | STM-0029 |
| 2 | PCB-0030 | 11 | PCB-0217 |
| 3 | PCB-0189 | 12 | PCB-0217 |
| 4 | PCB-0209 | 13 | PCB-0217 |
| 5 | PCB-0032 (88HS) | 14 | WIR-0040 |
| | PCB-0033 (32MP) | 15 | WIR-0041 |
| 6 | PCB-0206 | 16 | WIR-0038 |
| 7 | PCB-0141 | 17 | WIR-0039 |
| 8 | PCB-0000 | 18 | WIR-0086 |
| 9 | PCB-0009 | | |

| SLOT | PART # | BOARD # | SLOT | PART # | BOARD # |
|------|----------|---------|------|----------|---------|
| 1 | PCB-0209 | 1550-2B | 10 | PCB-0217 | 1010-6 |
| 2 | | | 11 | PCB-0217 | 1010-6 |
| 3 | | | 12 | | |
| 4 | PCB-0189 | 1730-5 | 13 | | |
| 5 | PCB-0030 | 1400-5 | 14 | PCB-0217 | 1010-6 |
| 6 | | | 15 | PCB-0000 | 1020 |
| 7 | PCB-0032 | 1420-4 | 16 | PCB-0008 | 1050-3 |
| 8 | PCB-0206 | 1030-1 | 17 | PCB-0005 | 1040 |
| 9 | PCB-0217 | 1010-6 | | | |

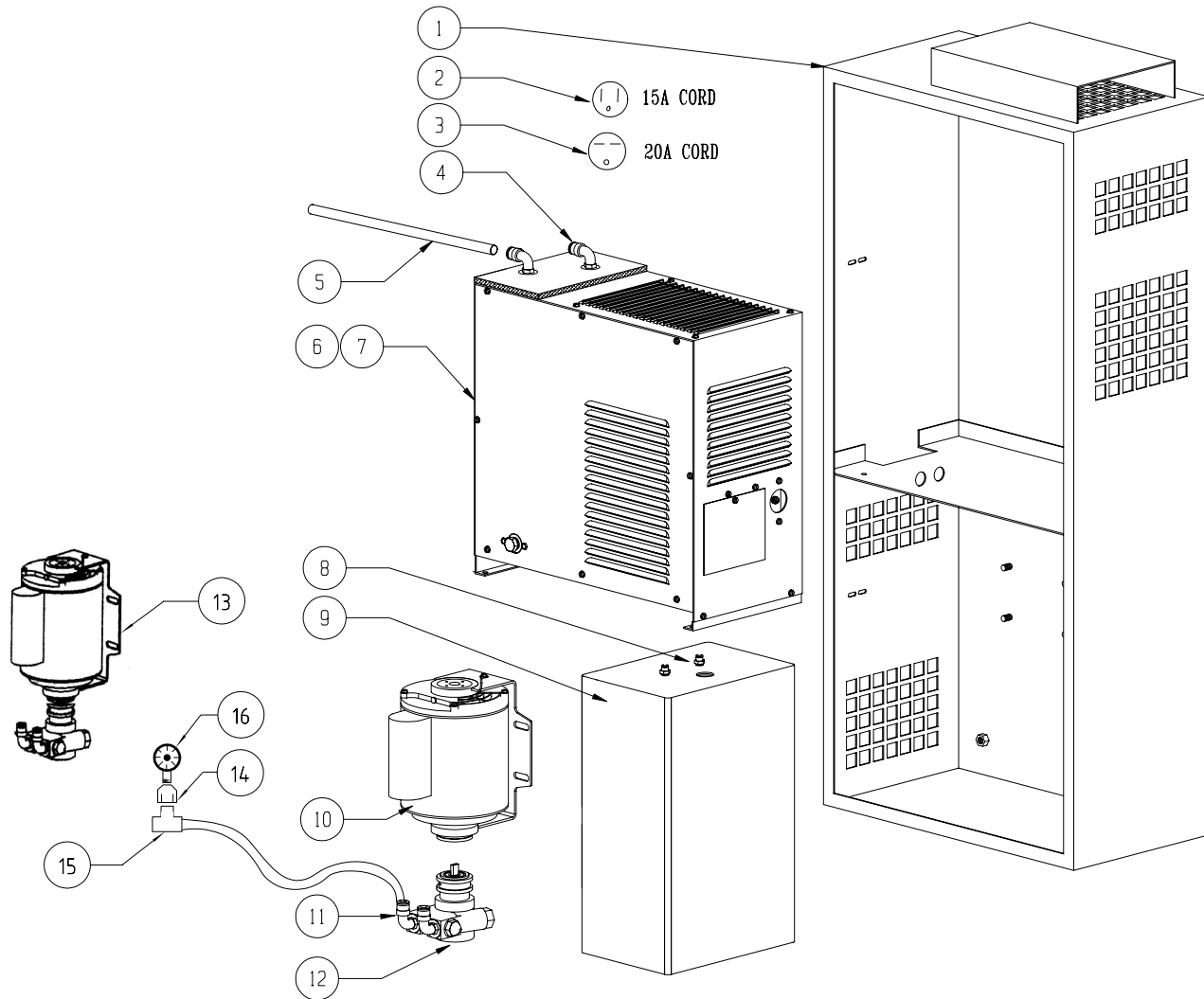
POWER JUNCTION CABINET ASSEMBLY



POWER JUNCTION CABINET ASSEMBLY 7500/10,000 RPM

| | PART # | | PART # | | PART # | | PART # |
|----|----------|----|-----------------|----|-----------------|----|---------------------|
| 1 | LBL-0029 | 11 | REG-0008 | 21 | PCB-0146 (480V) | 31 | INV-0041 |
| 2 | LBL-0106 | 12 | VLV-0055 (7.5K) | 22 | ELE-0093 | | |
| | | | VLV-0054 (10K) | | | 32 | INV-0017 |
| 3 | HDW-0221 | 13 | HDW-0849 | 23 | INV-0001 | 33 | ELE-0139 (60AMP) |
| 4 | STM-0051 | 14 | HDW-0216 | 24 | LBL-0037 | | ELE-0141 (30AMP) |
| 5 | ELE-0072 | 15 | ELE-0123 | 25 | LBL-0040 | 34 | ELE-0063 (45A 240V) |
| 6 | PCB-0015 | 16 | HDW-0850 | 26 | HDW-0219 | 35 | ELE-0062 (30A 380V) |
| 7 | ELE-0070 | 17 | PCB-0046 | 27 | LBL-0038 | 36 | ELE-0060 (20A 480V) |
| | | | | 28 | ELE-0110 | 37 | WIR-0073 |
| | | | | | | | |
| 9 | REG-0005 | 19 | ELE-0132 | 29 | WIR-0166 | | |
| 10 | REG-0009 | 20 | PCB-0145 (240V) | 30 | INV-0045 (7.5K) | | |

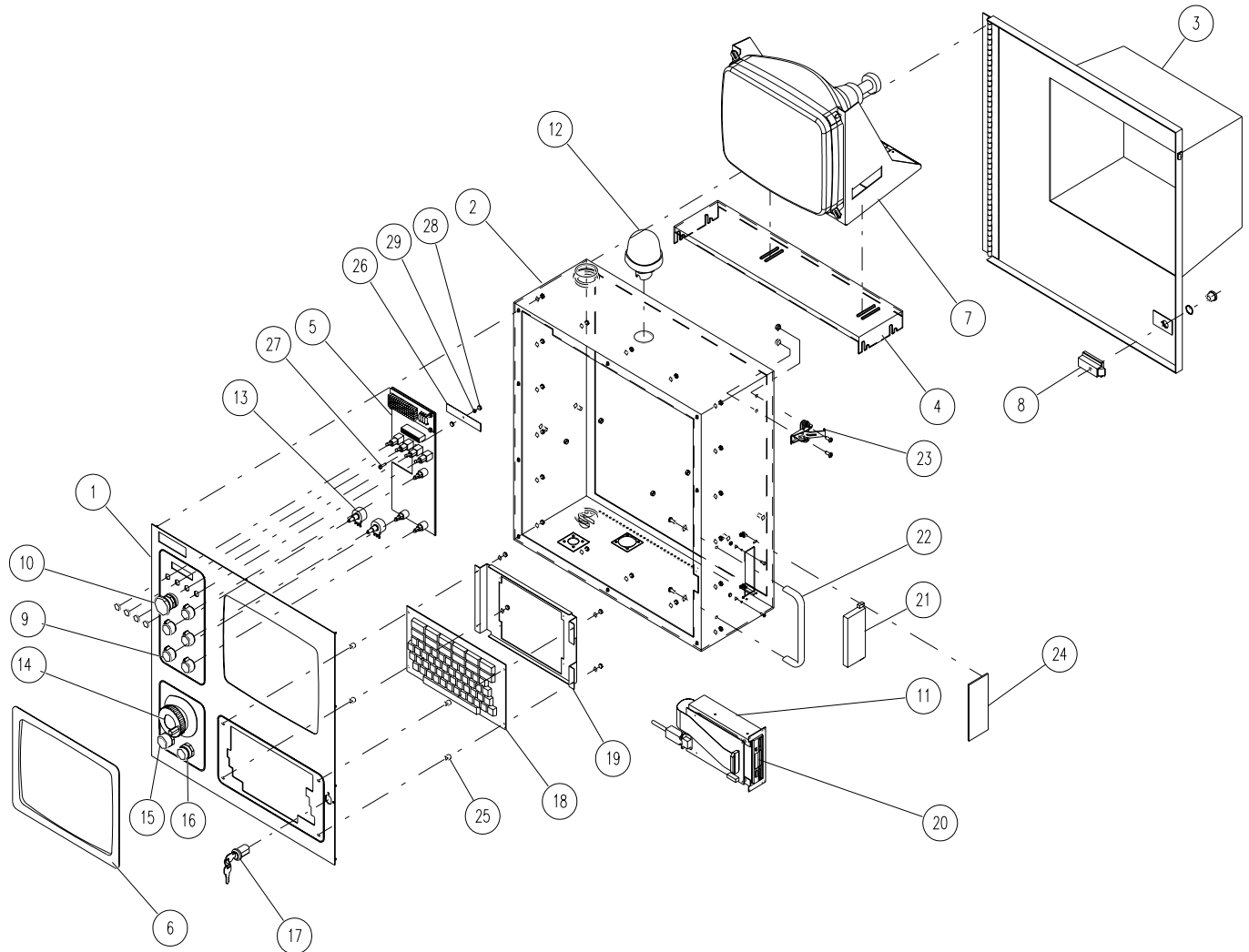
CHILLER CABINET ASSEMBLY



CHILLER CABINET ASSEMBLY

| | PART # | | PART # |
|---|----------------|----|----------|
| 1 | STM-0125 | 9 | CNT-0047 |
| 2 | WIR-0433 | 10 | PMP-0029 |
| 3 | WIR-0434 | 11 | PLM-0042 |
| 4 | PLM-0042 | 12 | PMP-0000 |
| 5 | PLM-0024 | 13 | PMP-0034 |
| 6 | CNT-0035 (15A) | 14 | PLM-0199 |
| 7 | CNT-0144 (20A) | 15 | PLM-0166 |
| 8 | PLM-0210 | 16 | REG-0017 |

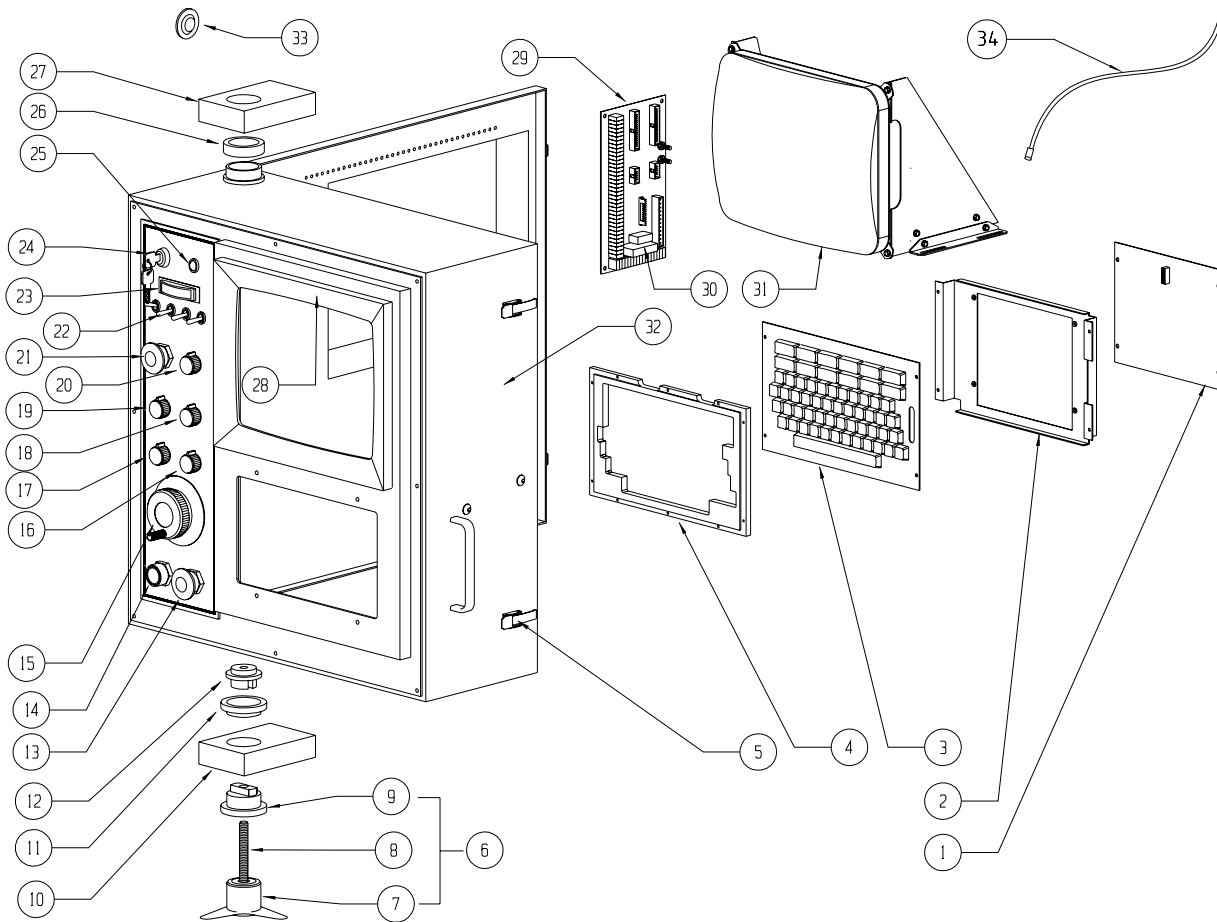
MP PENDANT ASSEMBLY



MP PENDANT ASSEMBLY

| | PART # | | PART # | | PART # | | PART # |
|---|-------------------|----|----------|----|----------|----|----------|
| 1 | CTR-0134 | | ELE-0888 | 15 | ELE-0093 | 24 | STM-0547 |
| 2 | STM-0945 (2 of 4) | | ELE-0889 | 16 | ELE-0091 | 25 | HDW-1083 |
| 3 | STM-0945 (3 of 4) | 8 | HDW-0221 | 17 | ELE-0096 | 26 | ELE-1184 |
| 4 | STM-0951 | 9 | HDW-0621 | 18 | ELE-0083 | 27 | HDW-1082 |
| 5 | PCB-0200 | 10 | ELE-0673 | 19 | STM-0128 | 28 | HDW-1081 |
| 6 | CTR-0118 | 11 | STM-0470 | 20 | ELE-0913 | 29 | HDW-0456 |
| | CTR-0136 | 12 | ELE-0969 | 21 | CTR-0014 | | |
| | CTR-0135 | 13 | ELE-0380 | 22 | HDW-0182 | | |
| 7 | ELE-1072 | 14 | MPG-0020 | 23 | HDW-0925 | | |

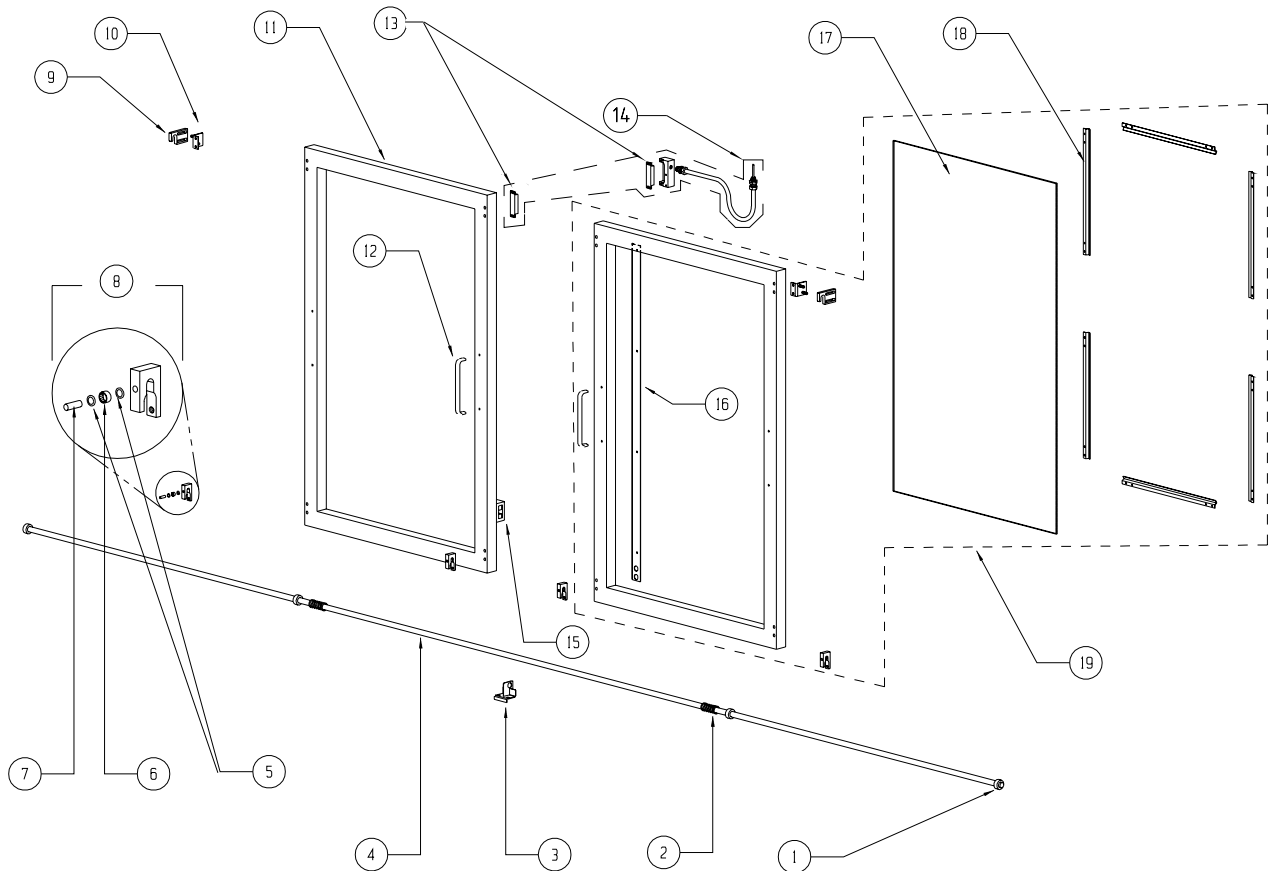
88HS PENDANT ASSEMBLY



88HS PENDANT ASSEMBLY

| | PART # | | PART # | | PART # | | PART # |
|---|----------|----|----------|----|----------|----|----------|
| 1 | PCB-0012 | 10 | CTR-0009 | 19 | ELE-0067 | 28 | HDW-0847 |
| 2 | STM-0128 | 11 | BRG-0077 | 20 | ELE-0078 | 29 | PCB-0019 |
| 3 | ELE-0083 | 12 | CTR-0007 | 21 | ELE-0112 | 30 | ELE-0070 |
| 4 | CTR-0009 | 13 | ELE-0111 | 22 | ELE-0095 | 31 | ELE-0189 |
| 5 | HDW-0216 | 14 | ELE-0110 | 23 | ELE-0108 | 32 | CTR-0021 |
| 6 | CTR-0022 | 15 | MPG-0007 | 24 | ELE-0096 | 33 | HDW-0185 |
| 7 | HDW-0675 | | MPG-0018 | 25 | ELE-0090 | 34 | WIR-0086 |
| 8 | CTR-0018 | 16 | ELE-0078 | 26 | HDW-0724 | | |
| 9 | CTR-0008 | 17 | ELE-0081 | 27 | CTR-0006 | | |
| | | 18 | ELE-0068 | | | | |

FRONT DOOR ASSEMBLY



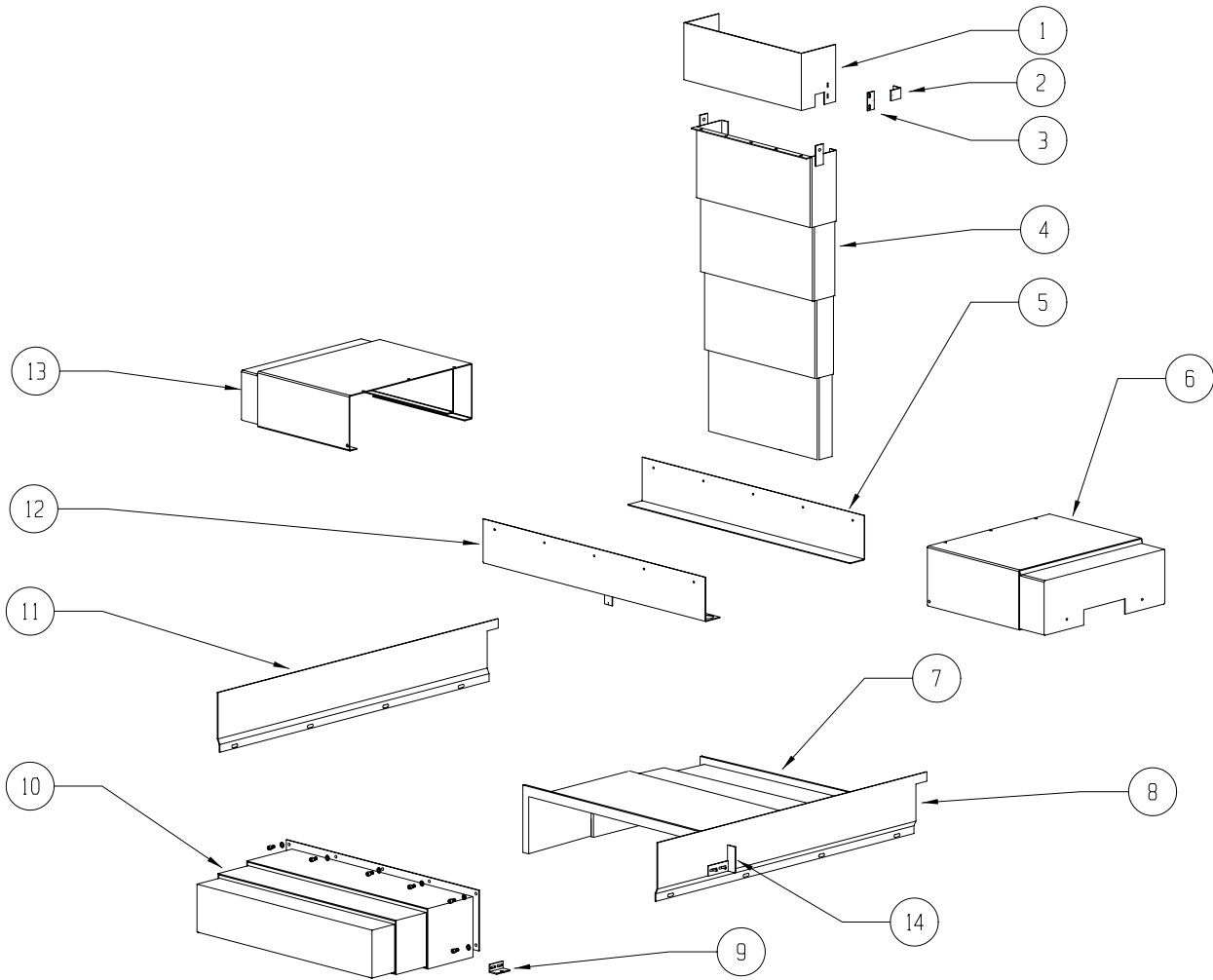
FRONT DOOR ASSEMBLY

| | PART # | | PART # | | PART # |
|---|----------|----|-------------------------|----|----------|
| 1 | HDW-0215 | 8 | DOR-0016 | 15 | DOR-0035 |
| 2 | HDW-0264 | 9 | DOR-0001 | 16 | STM-0083 |
| 3 | DOR-0019 | 10 | DOR-0000 | 17 | DOR-0006 |
| 4 | DOR-0053 | 11 | DOR-0002 | 18 | STM-0084 |
| 5 | HDW-0149 | 12 | HDW-0182 | 19 | DOR-0027 |
| 6 | BRG-0014 | 13 | ELE-0810 ⁽¹⁾ | | |
| 7 | HDW-0327 | 14 | WIR-0069 ⁽²⁾ | | |

¹Set of two sensors

²Includes set of two sensors and one block cable

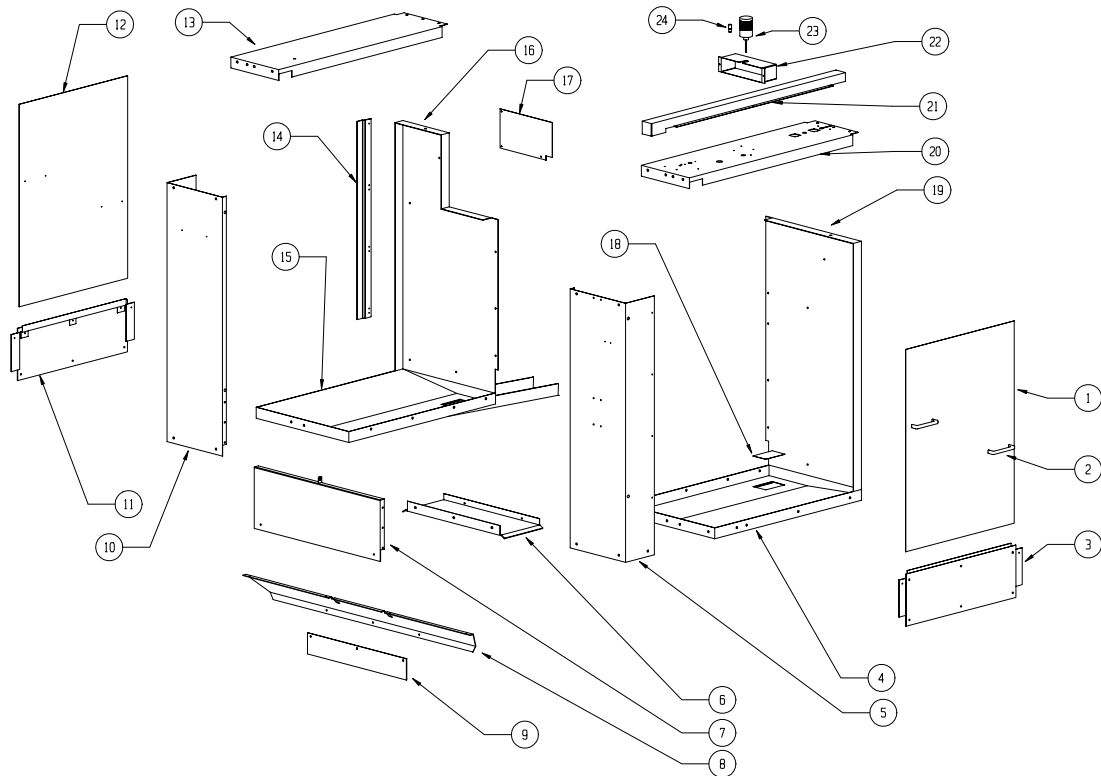
WAY COVER ASSEMBLY



WAY COVER ASSEMBLIES

| | PART # | | PART # | | PART # |
|---|----------------|---|----------|----|----------|
| 1 | STM-0225 | 5 | STM-0227 | 10 | CVR-0087 |
| 2 | STM-0048 | 6 | CVR-0016 | 11 | CVR-0085 |
| 3 | STM-0044 | 7 | CVR-0088 | 12 | STM-0468 |
| 4 | CVR-0057 (20") | 8 | CVR-0086 | 13 | CVR-0016 |
| | CVR-0061 (28") | 9 | STM-0047 | 14 | STM-0224 |

SHEETMETAL HOUSING

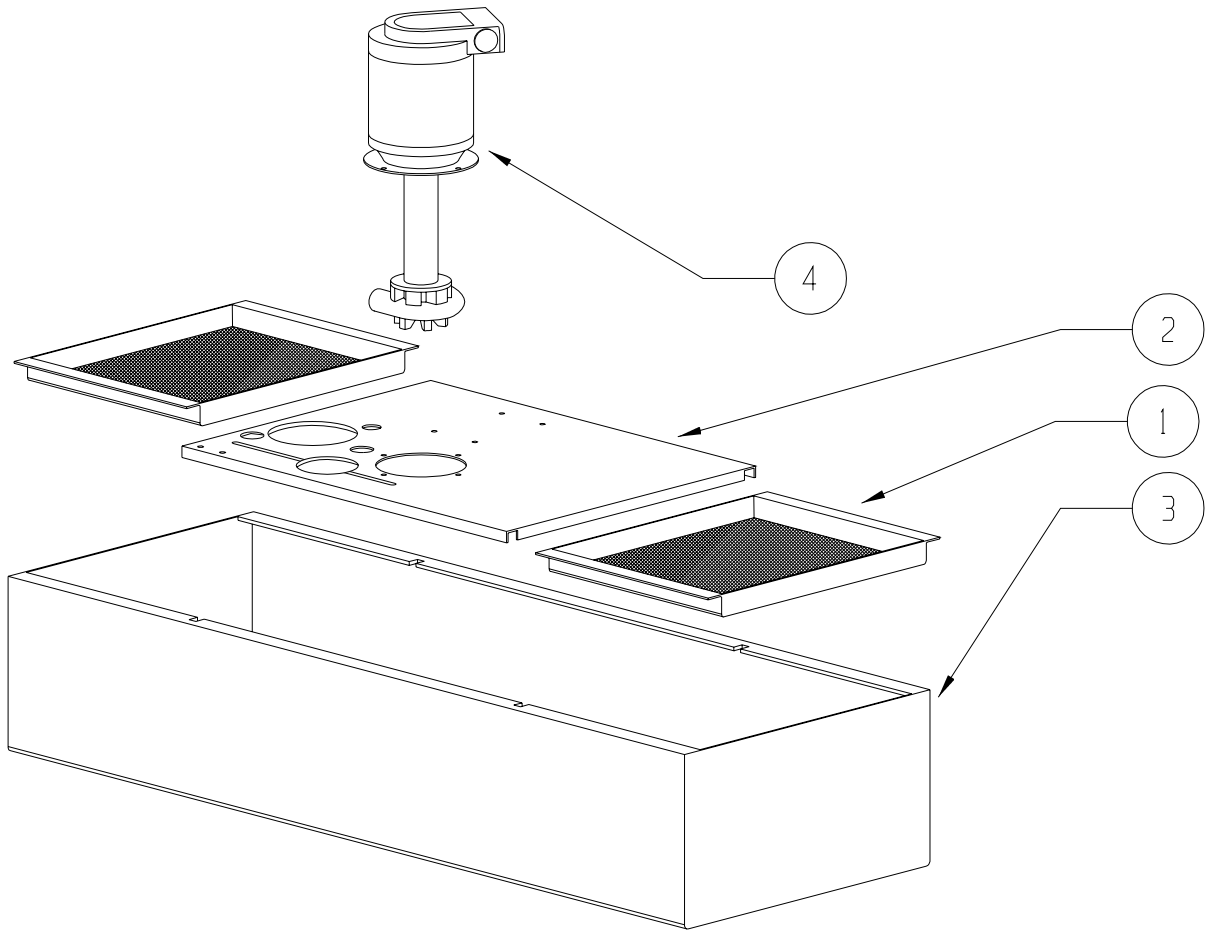


SHEETMETAL HOUSING

| | PART # | | PART # | | PART # | | PART # |
|---|----------|----|----------|----|-------------------------|----|----------|
| 1 | STM-0241 | 7 | STM-0078 | 13 | STM-0258 | 19 | STM-0578 |
| 2 | HDW-0182 | 8 | STM-0527 | 14 | STM-0244 | 20 | STM-0257 |
| 3 | STM-0240 | 9 | STM-0228 | 15 | STM-0325 | 21 | STM-0085 |
| 4 | STM-0327 | 10 | STM-0382 | 16 | STM-0577 | 22 | STM-0088 |
| 5 | STM-0383 | 11 | STM-0240 | 17 | STM-0282 ⁽¹⁾ | 23 | ELE-0121 |
| 6 | STM-0354 | 12 | STM-0241 | 18 | STM-0110 | 24 | ELE-0122 |

¹For extended column models only.

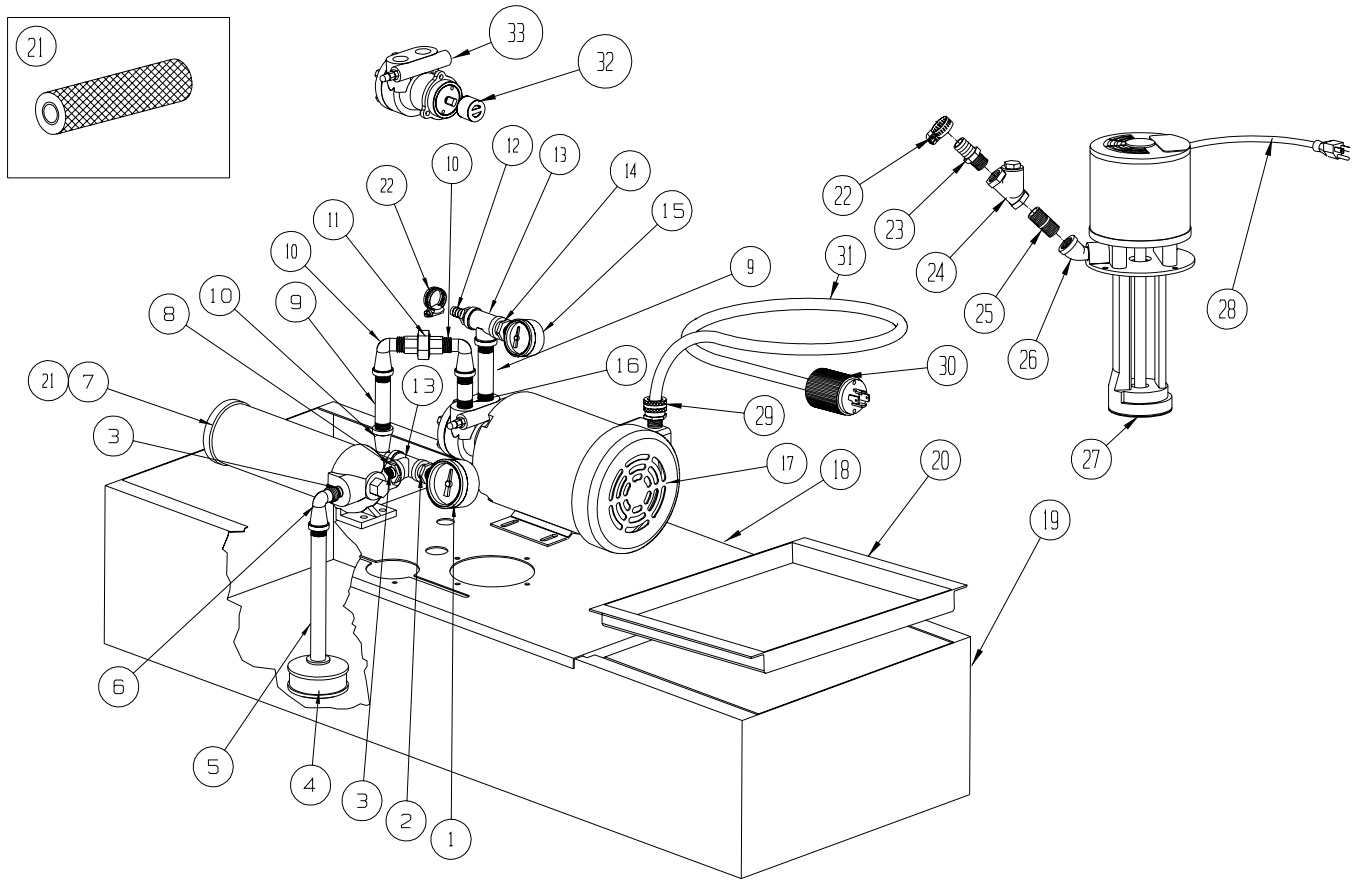
7500 RPM COOLANT TANK



7500 RPM COOLANT TANK

| | PART # |
|---|----------|
| 1 | STM-0116 |
| 2 | STM-0594 |
| 3 | STM-0287 |
| 4 | PMP-0017 |

7500 RPM COOLANT THROUGH TANK

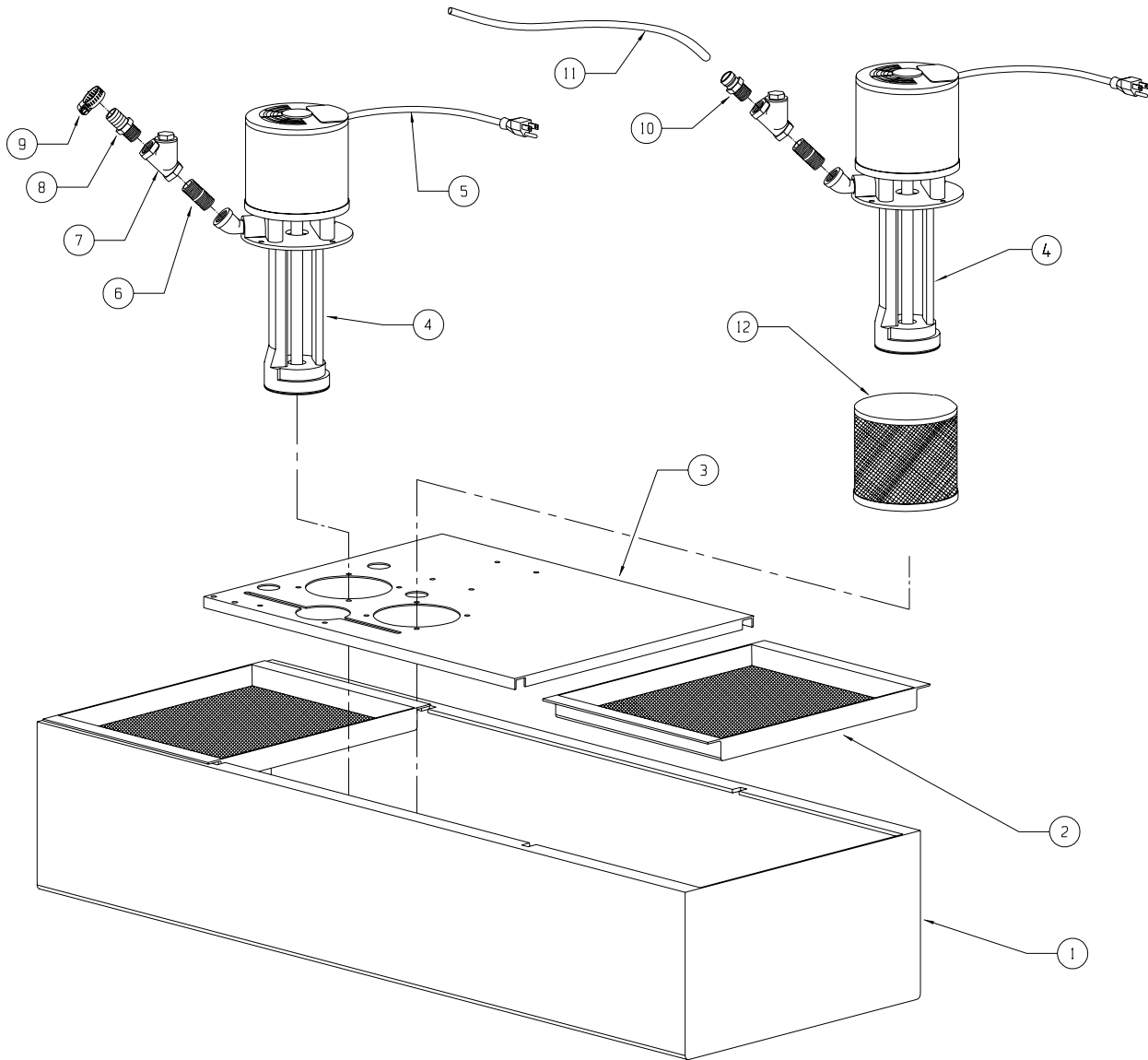


7500 RPM COOLANT THROUGH TANK ASSEMBLY

| | PART # | | PART # | | PART # | | PART # |
|----|-------------------------|----|----------|----|-------------------------|----|----------|
| 1 | REG-0034 | 11 | PLM-0212 | 21 | CNT-0029 ⁽¹⁾ | 31 | WIR-0536 |
| 2 | PLM-0216 | 12 | PLM-0104 | 22 | HDW-0252 | 32 | PMP-0019 |
| 3 | PLM-0117 | 13 | PLM-0089 | 23 | PLM-0067 | 33 | PMP-0007 |
| 4 | CNT-0025 | 14 | PLM-0217 | 24 | VLV-0018 | | |
| 5 | PLM-0213 | 15 | REG-0018 | 25 | PLM-0092 | | |
| 6 | PLM-0100 | 16 | PLM-0060 | 26 | PLM-0099 | | |
| 7 | CNT-0027 ⁽¹⁾ | 17 | PMP-0008 | 27 | PMP-0017 | | |
| 8 | HDW-0391 | 18 | STM-0594 | 28 | WIR-0096 | | |
| 9 | PLM-0061 | 19 | STM-0287 | 29 | WIR-0517 | | |
| 10 | PLM-0215 | 20 | STM-0116 | 30 | WIR-0535 | | |

¹Filter (CNT-0029) fits inside filter housing (CNT-0027).

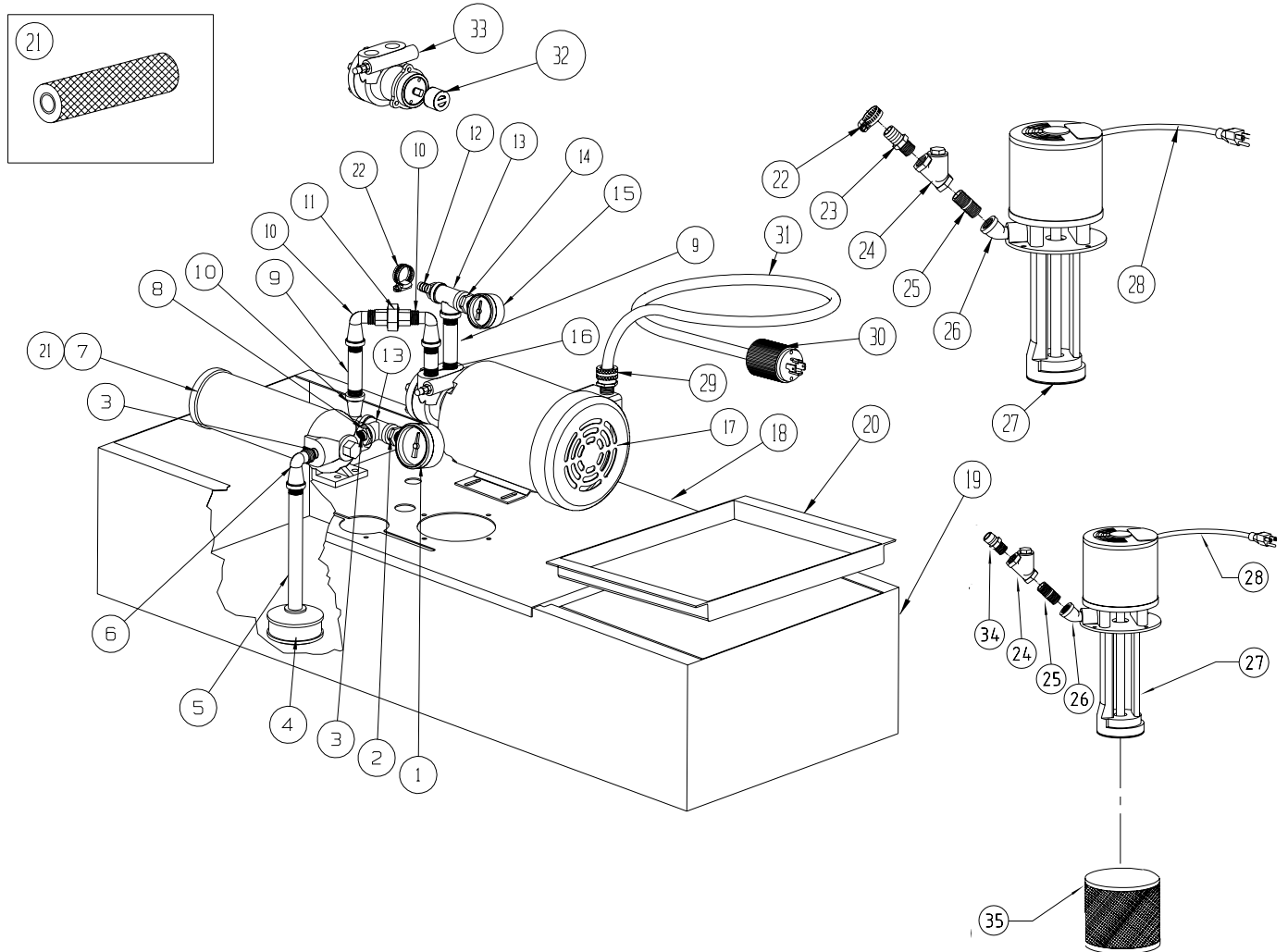
10K RPM COOLANT TANK



10,000 RPM COOLANT TANK ASSEMBLY

| | PART # | | PART # | | PART # |
|---|----------|---|----------|----|----------|
| 1 | STM-0287 | 5 | WIR-0096 | 9 | HDW-0252 |
| 2 | STM-0116 | 6 | PLM-0092 | 10 | PLM-0043 |
| 3 | STM-0594 | 7 | VLV-0018 | 11 | PLM-0023 |
| 4 | PMP-0017 | 8 | PLM-0067 | 12 | CNT-0026 |

10K RPM COOLANT THROUGH TANK



10,000 RPM COOLANT THROUGH TANK ASSEMBLY

| | PART # | | PART # | | PART # | | PART # | | PART # |
|---|-------------------------|----|----------|----|-------------------------|----|----------|----|----------|
| 1 | REG-0034 | 9 | PLM-0061 | 17 | PMP-0008 | 25 | PLM-0092 | 33 | PMP-0007 |
| 2 | PLM-0216 | 10 | PLM-0215 | 18 | STM-0594 | 26 | PLM-0099 | 34 | PLM-0043 |
| 3 | STM-0594 | 11 | PLM-0212 | 19 | STM-0287 | 27 | PMP-0017 | 35 | CNT-0026 |
| 4 | CNT-0025 | 12 | PLM-0104 | 20 | STM-0116 | 28 | WIR-0096 | | |
| 5 | PLM-0213 | 13 | PLM-0089 | 21 | CNT-0029 ⁽¹⁾ | 29 | WIR-0517 | | |
| 6 | PLM-0100 | 14 | PLM-0217 | 22 | HDW-0252 | 30 | WIR-0535 | | |
| 7 | CNT-0027 ⁽¹⁾ | 15 | REG-0018 | 23 | PLM-0067 | 31 | WIR-0536 | | |
| 8 | HDW-0391 | 16 | PLM-0060 | 24 | VLV-0018 | 32 | PMP-0019 | | |

¹Filter (CNT-0029) fits inside filter housing (CNT-0027).