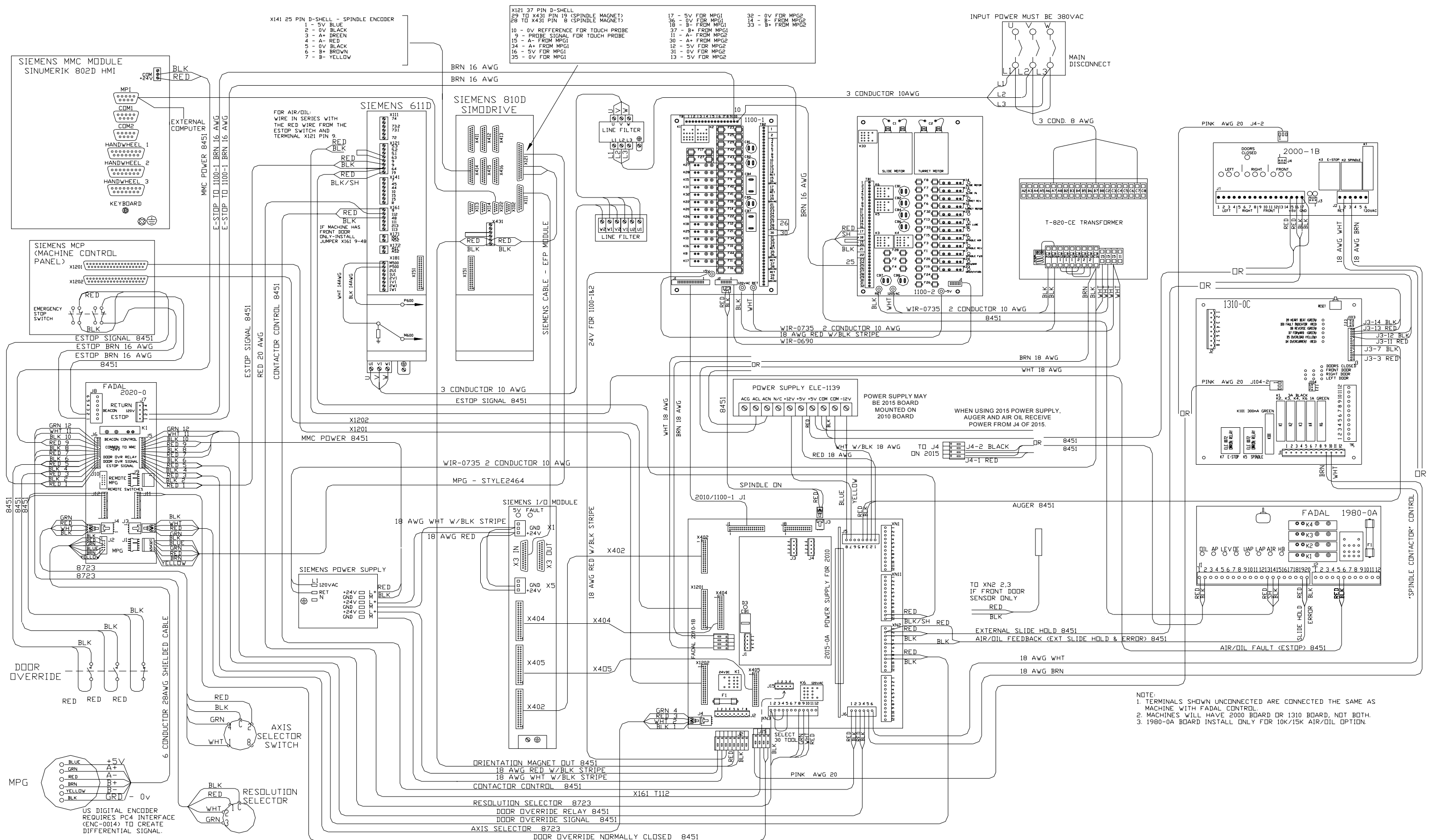


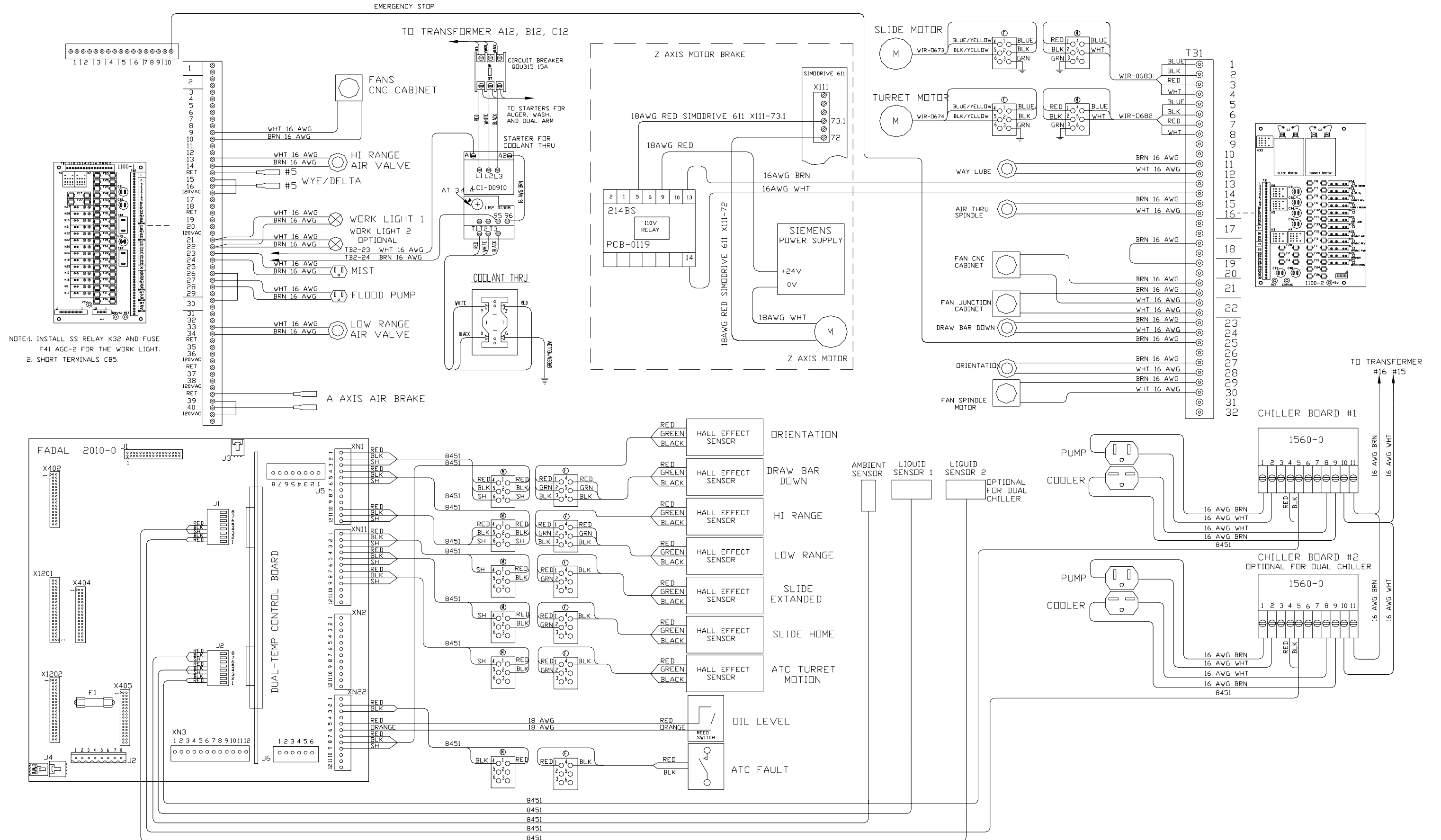
# SECTION 8

**Siemens**

# WRG\_0002H\_siemens\_control\_1of5



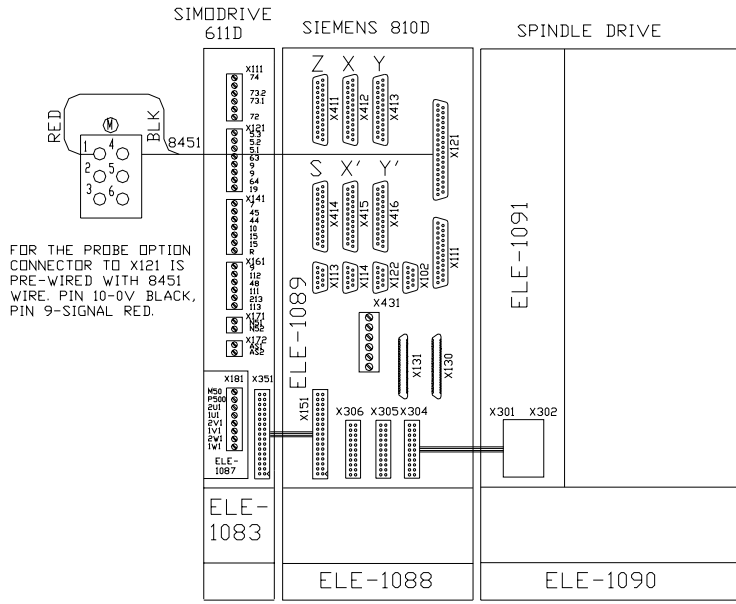
# WRG\_0002H\_siemens\_control\_2of5



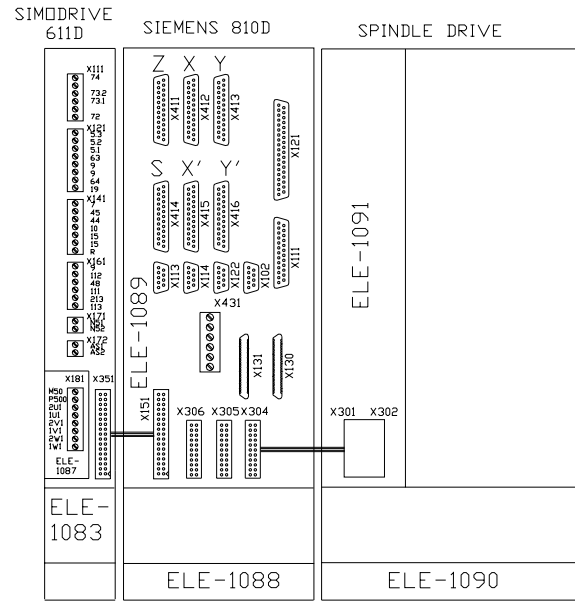
NOTE:1. INSTALL SS RELAY K32 AND FUSE F41 AGC-2 FOR THE WORK LIGHT.  
2. SHORT TERMINALS CB5.

OPT-0186 VMC 3020  
OPT-0233 VMC 4525

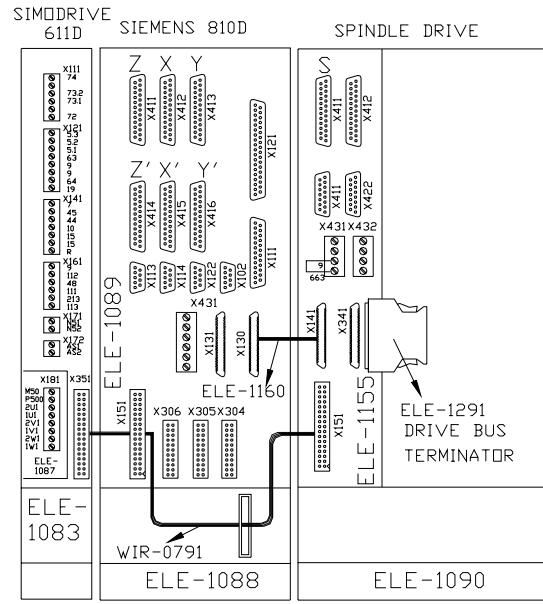
① STANDARD (NO SCALE)



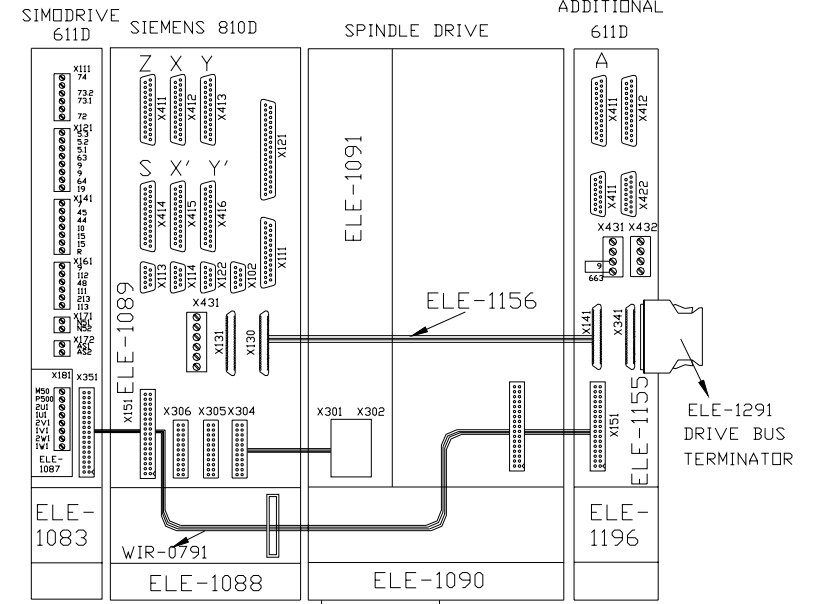
OPT-  
② X, Y, SCALES FOR SIEMENS



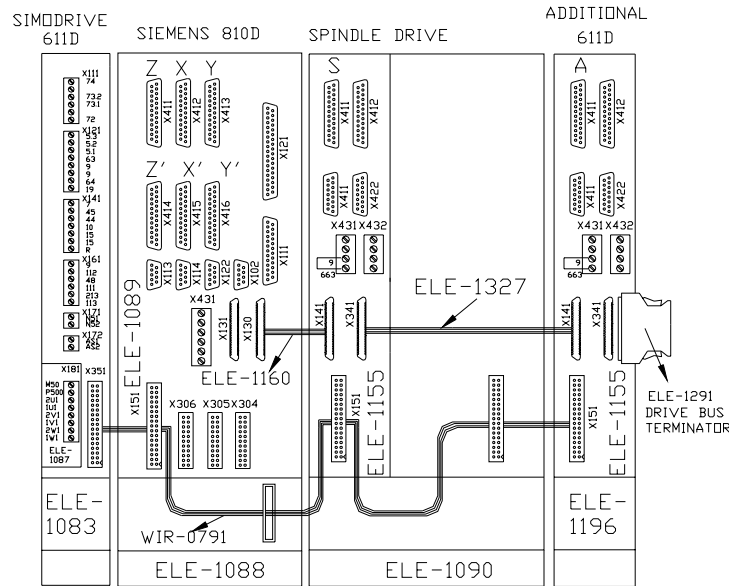
OPT-0197  
③ X,Y,Z SCALES FOR SIEMENS



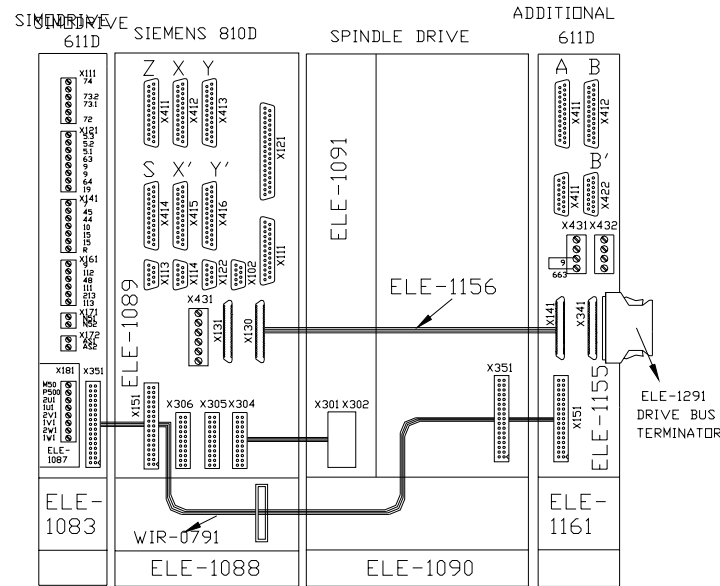
OPT-0199  
④ A AXIS FOR SIEMENS



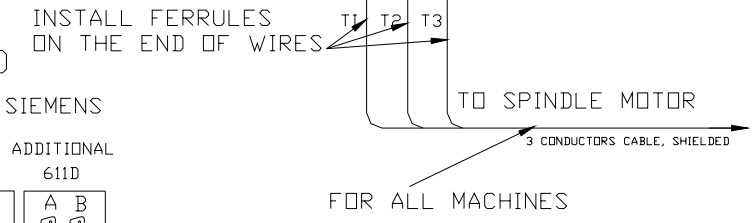
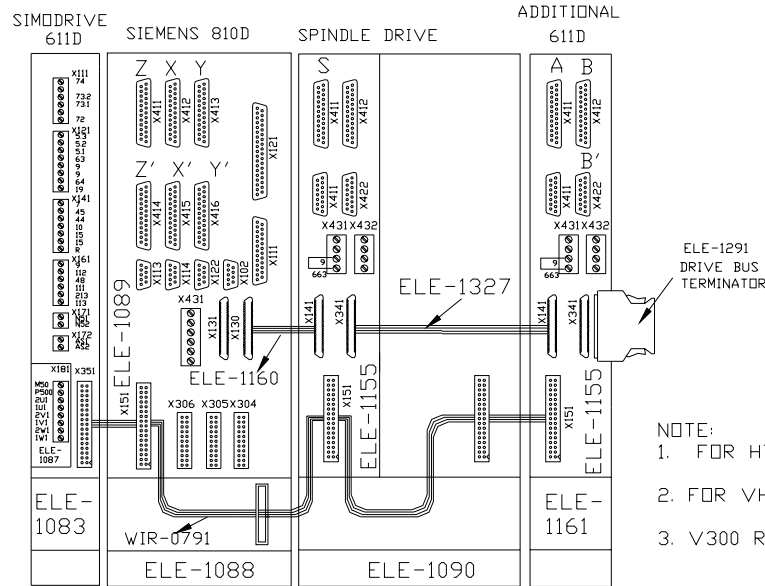
OPT-0197 & OPT-0199  
⑤ A AXIS & X, Y, Z SCALE FOR SIEMENS



OPT-0200  
⑥ A&B AXIS FOR SIEMENS

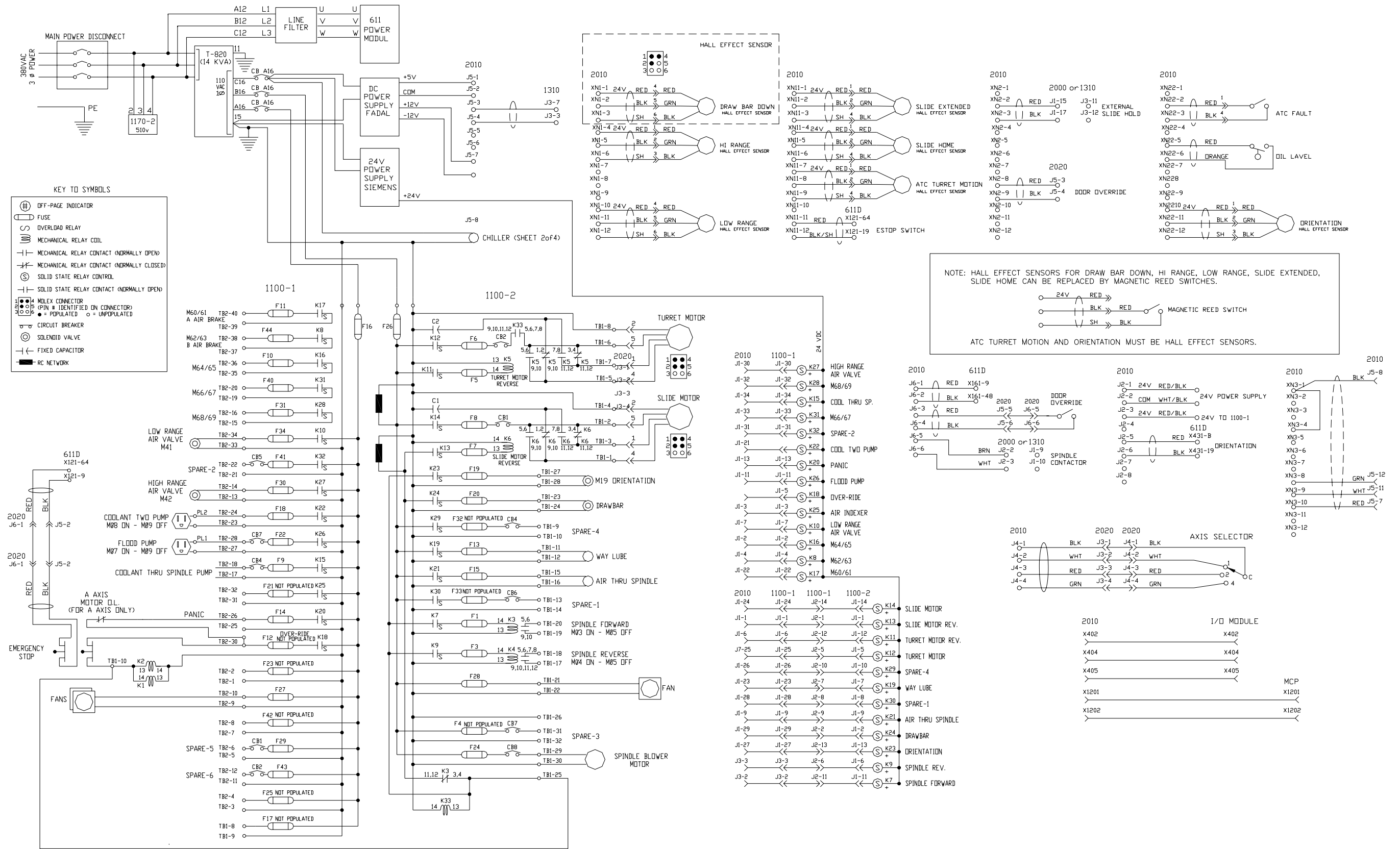


OPT-0197 & OPT-0200  
⑦ A/B AXIS & X, Y, Z SCALE FOR SIEMENS

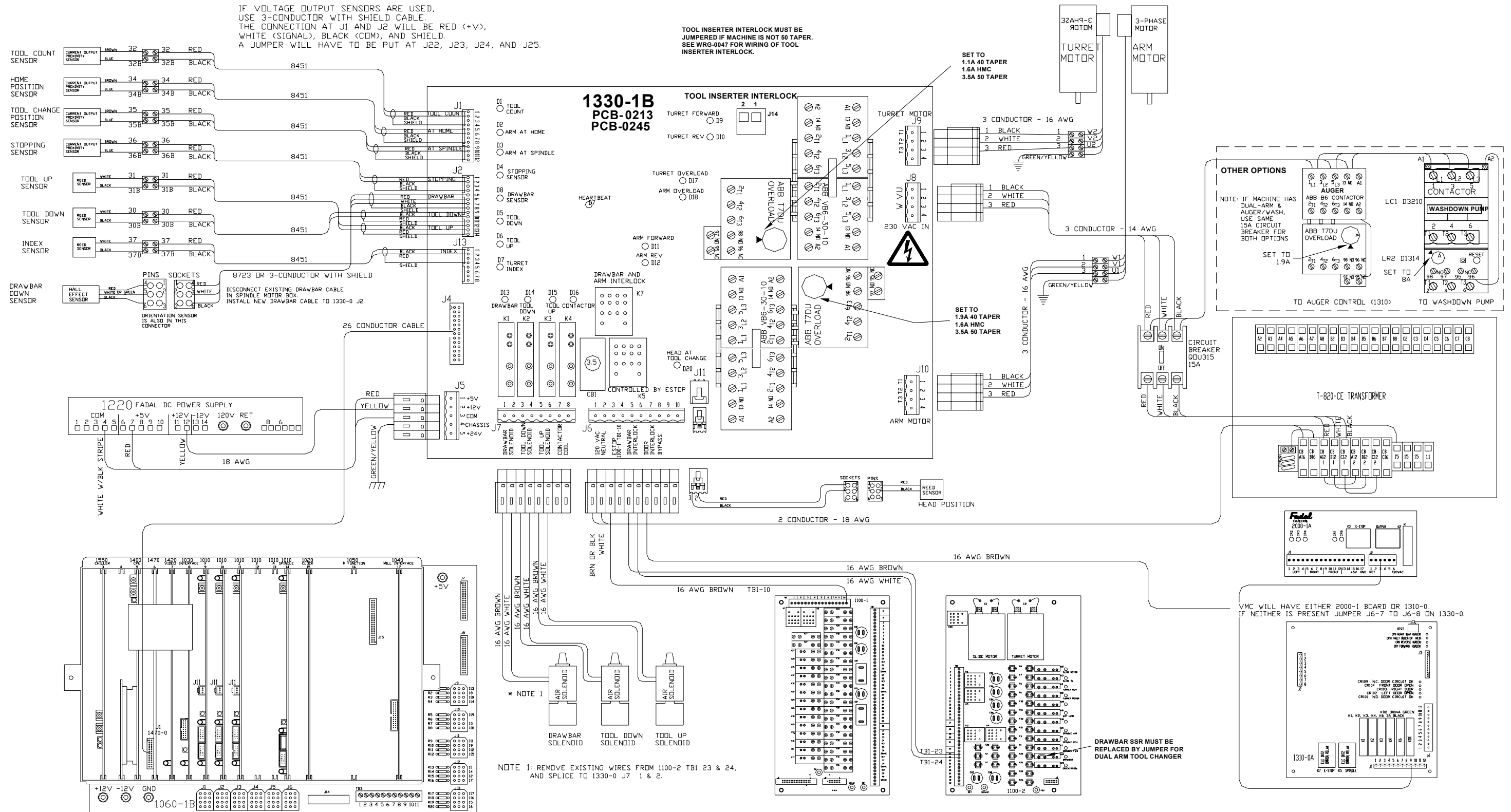


- NOTE:  
 1. FOR HT - USE I/R MODULE SIMODRIVE 611D (16KW)  
 ELE-1083, SPINDLE DRIVE 45 AMP ELE-1090  
 2. FOR VHT - USE U/E MODULE SIMODRIVE 611D (28KW)  
 ELE-1165, SPINDLE DRIVE 60 AMP ELE-1164  
 3. V300 ROTARY TABLE - USE ELE-1242 CONTROL MODULE.

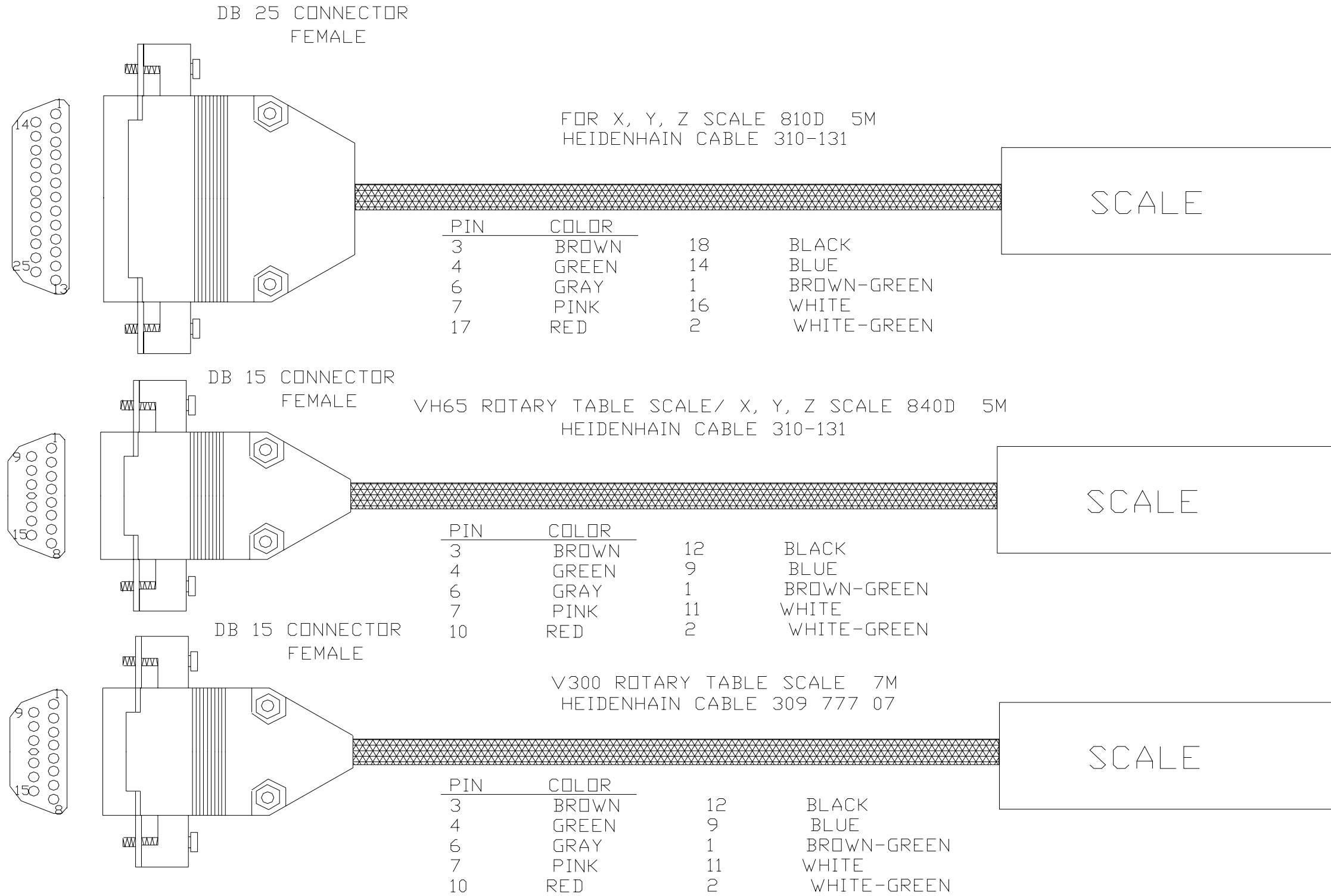
# WRG\_0002H\_siemens\_control\_4of5\_electrical



# WRG\_0001K\_Dual\_Arm\_Tool\_Changer\_1330-1

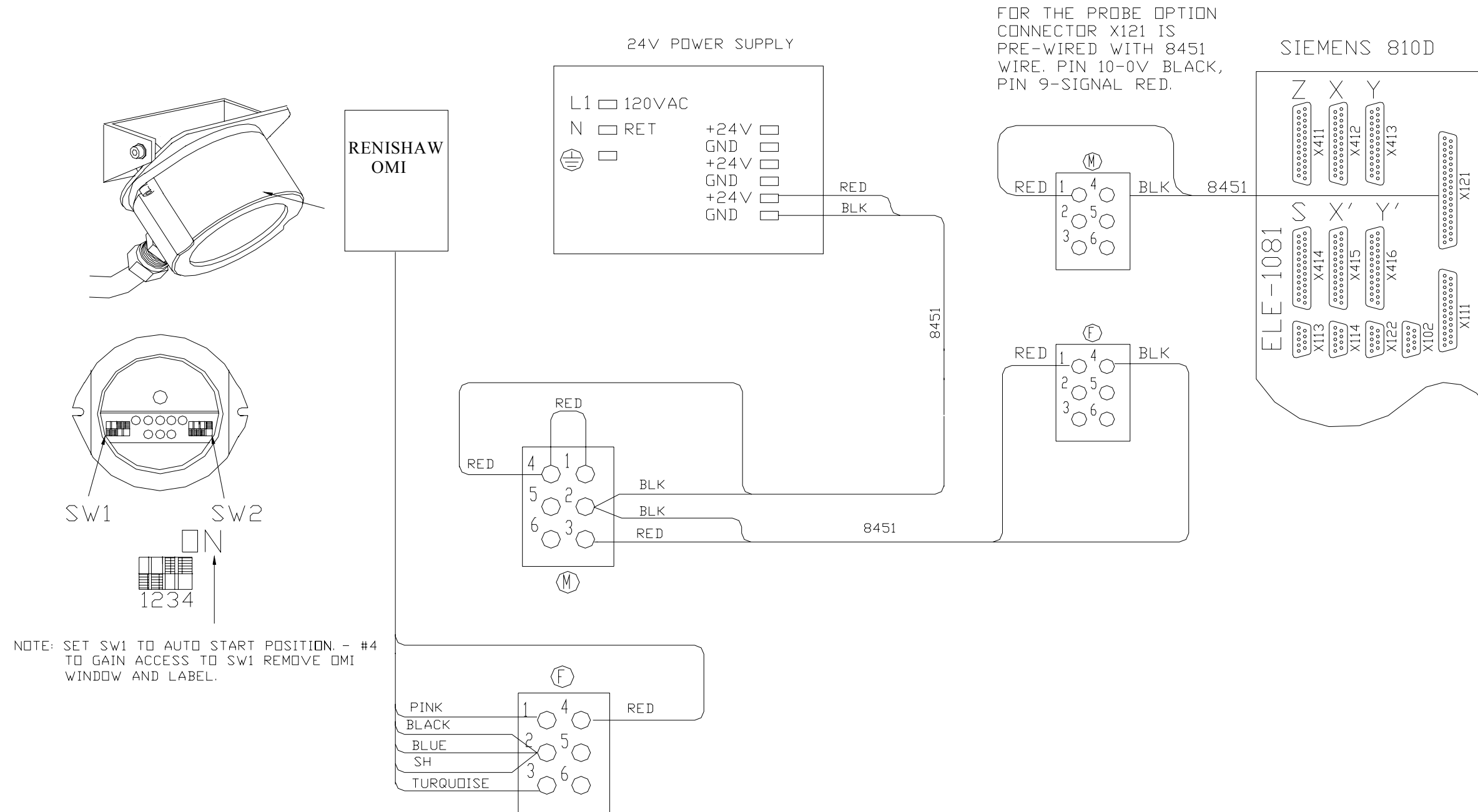


# Wir\_0019C\_scale\_cable\_siemens

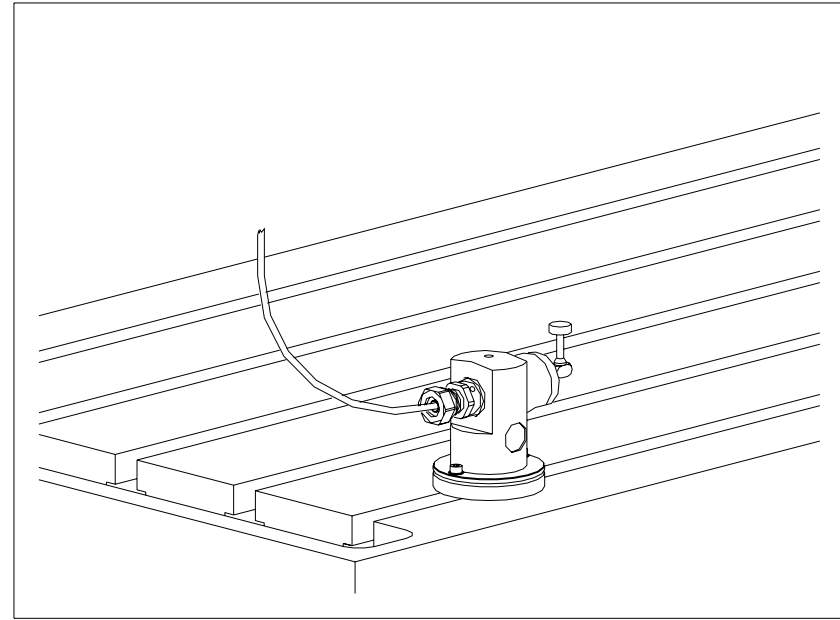


NOTE: OUTER SHIELD CONNECTED  
TO CONNECTOR HOUSING  
FOR ALL CABLES

# Wrg\_0031A\_mp12\_probe\_siemens

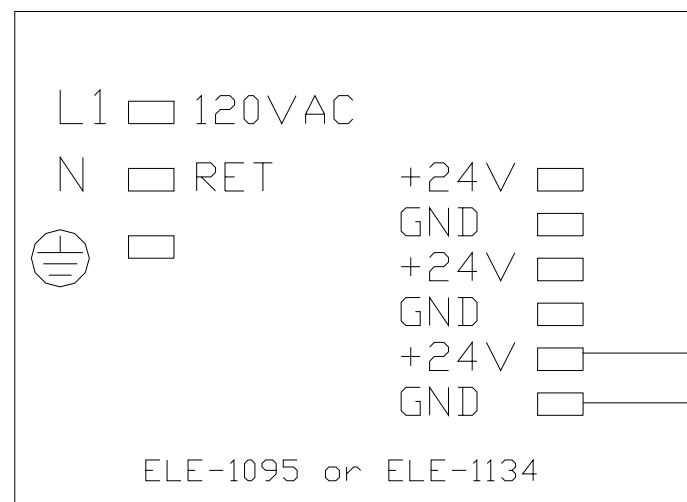
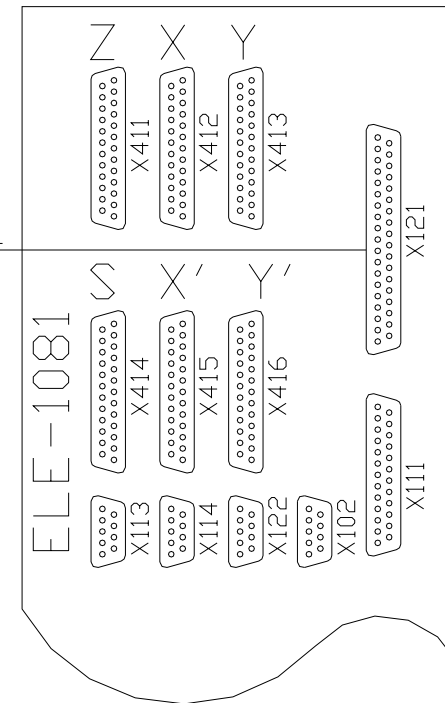
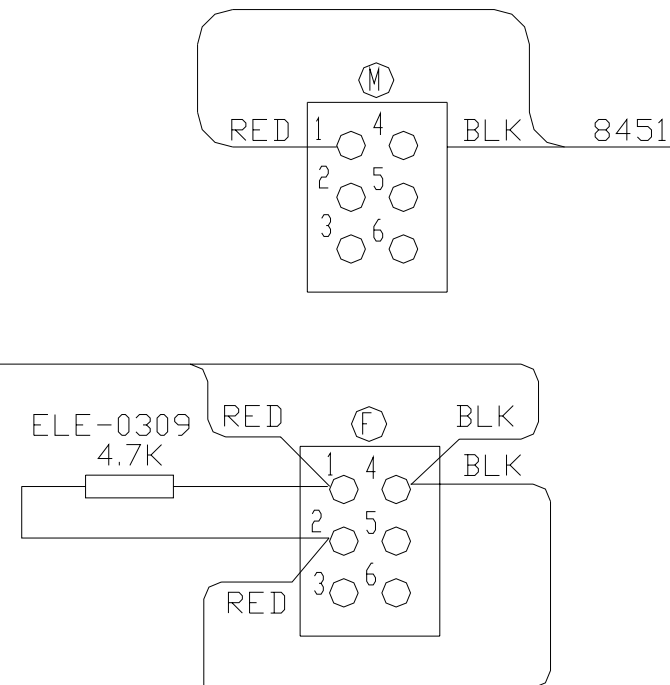




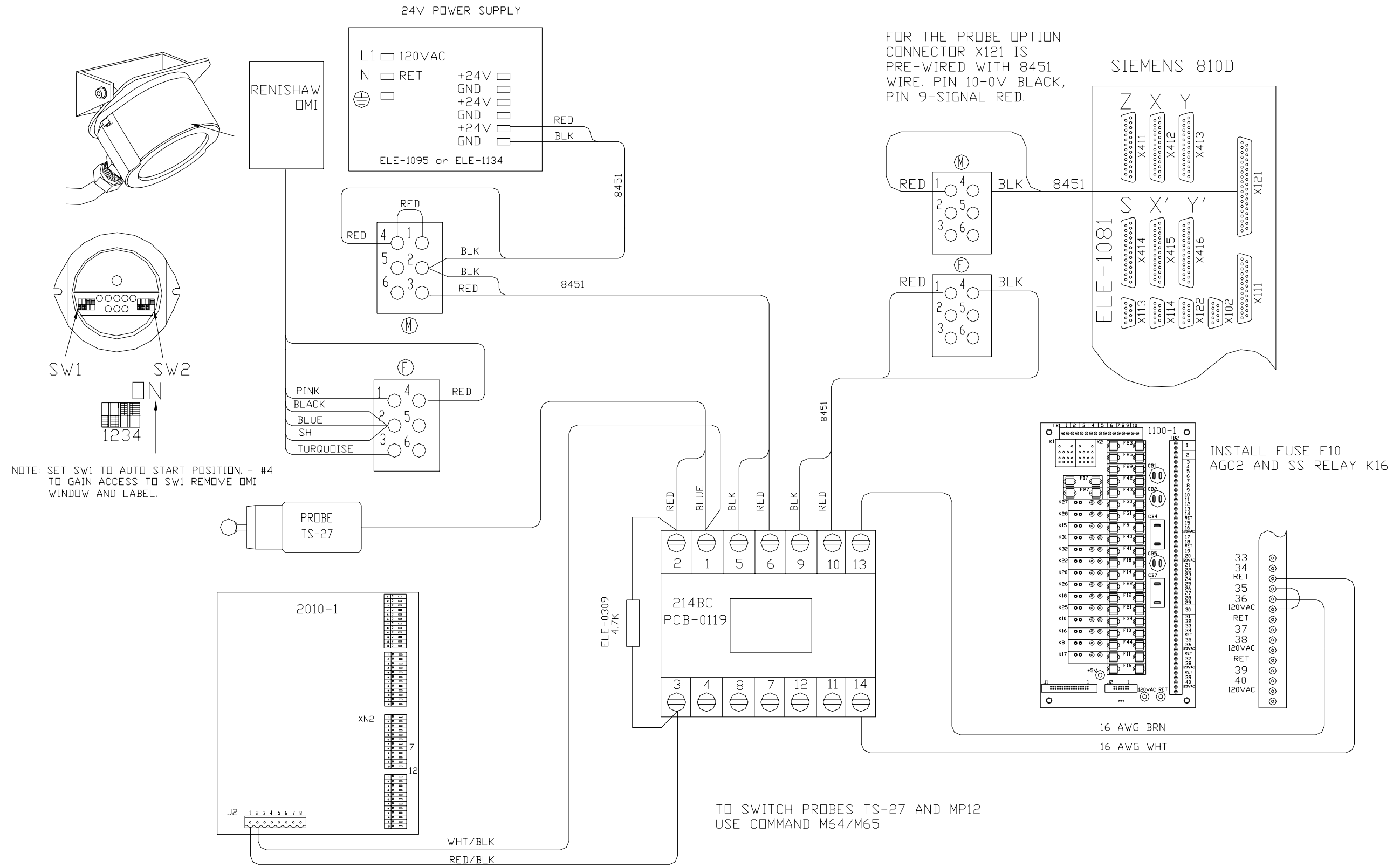


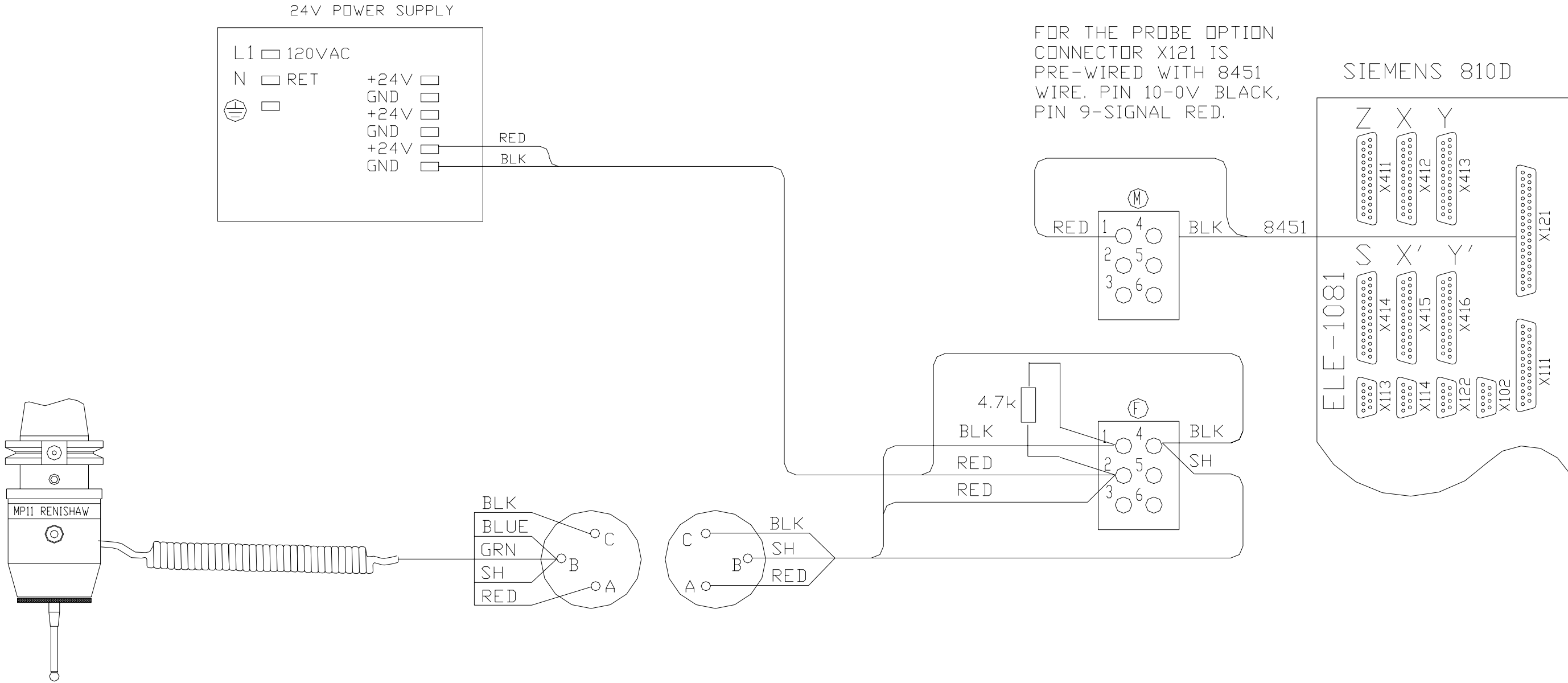
FOR THE PROBE OPTION  
CONNECTOR X121 IS  
PRE-WIRED WITH 8451  
WIRE. PIN 10-0V BLACK,  
PIN 9-SIGNAL RED.

SIEMENS 810D

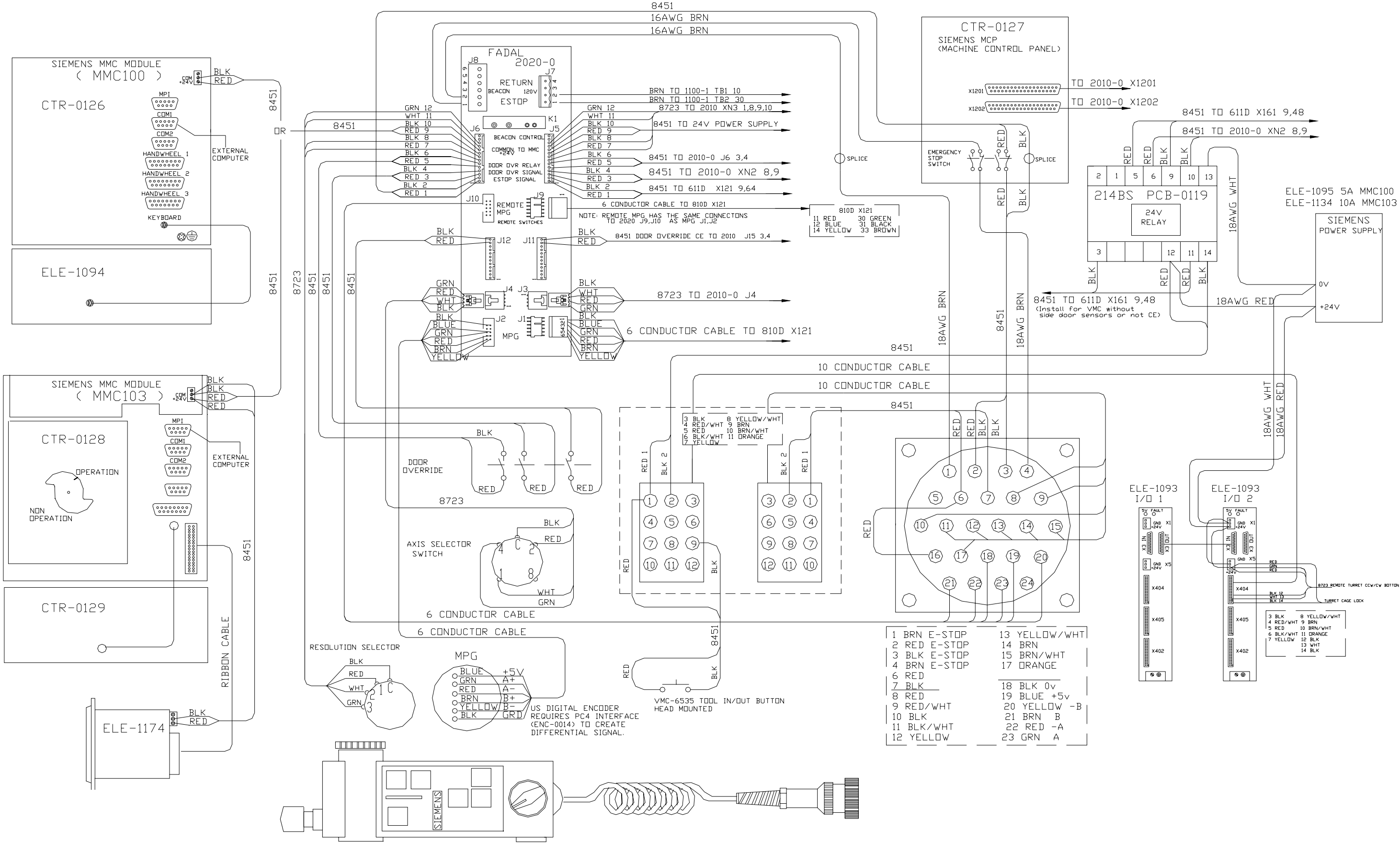


# Wrg\_0036D\_mp12\_ts27\_combo\_siemens

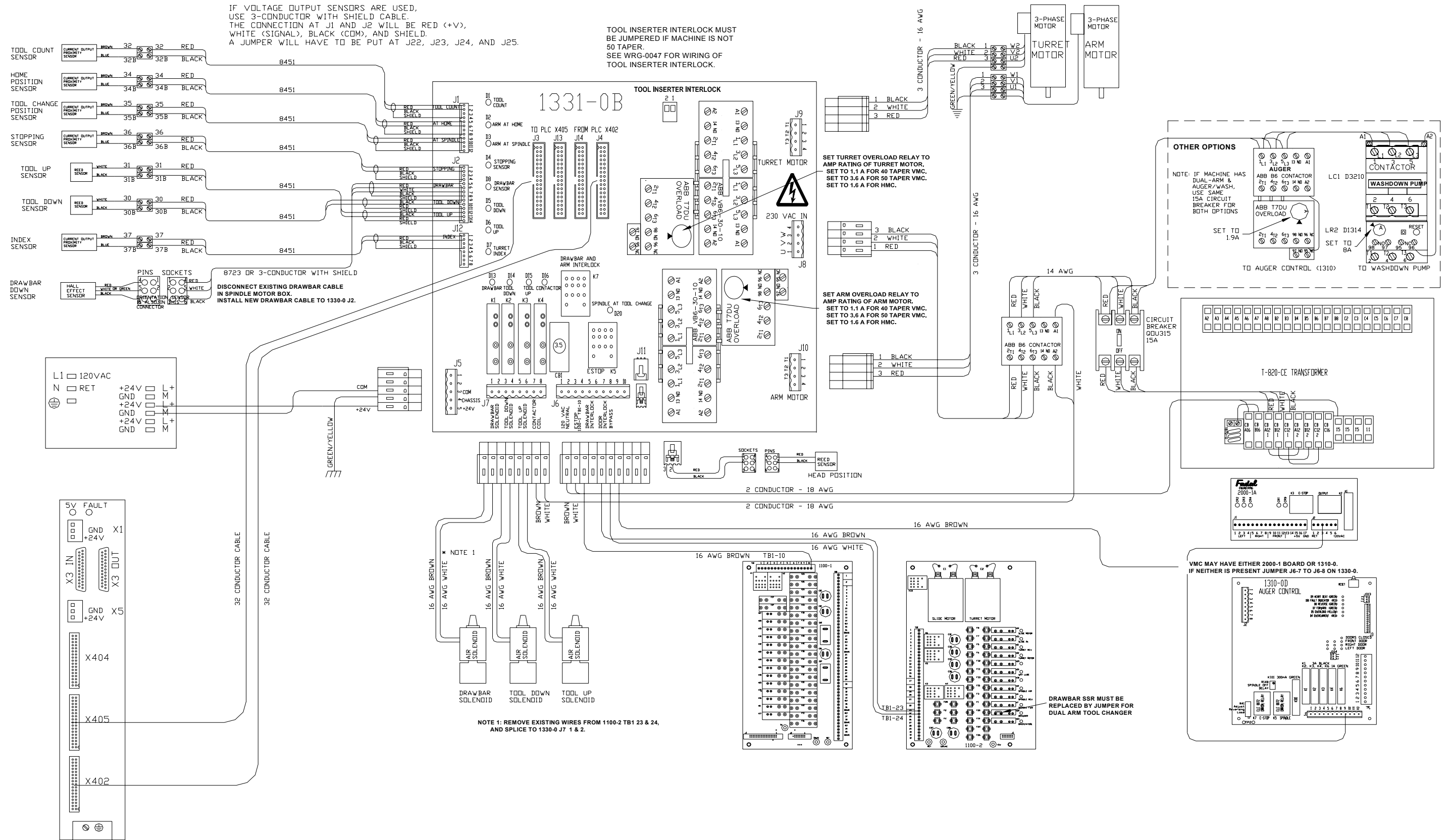




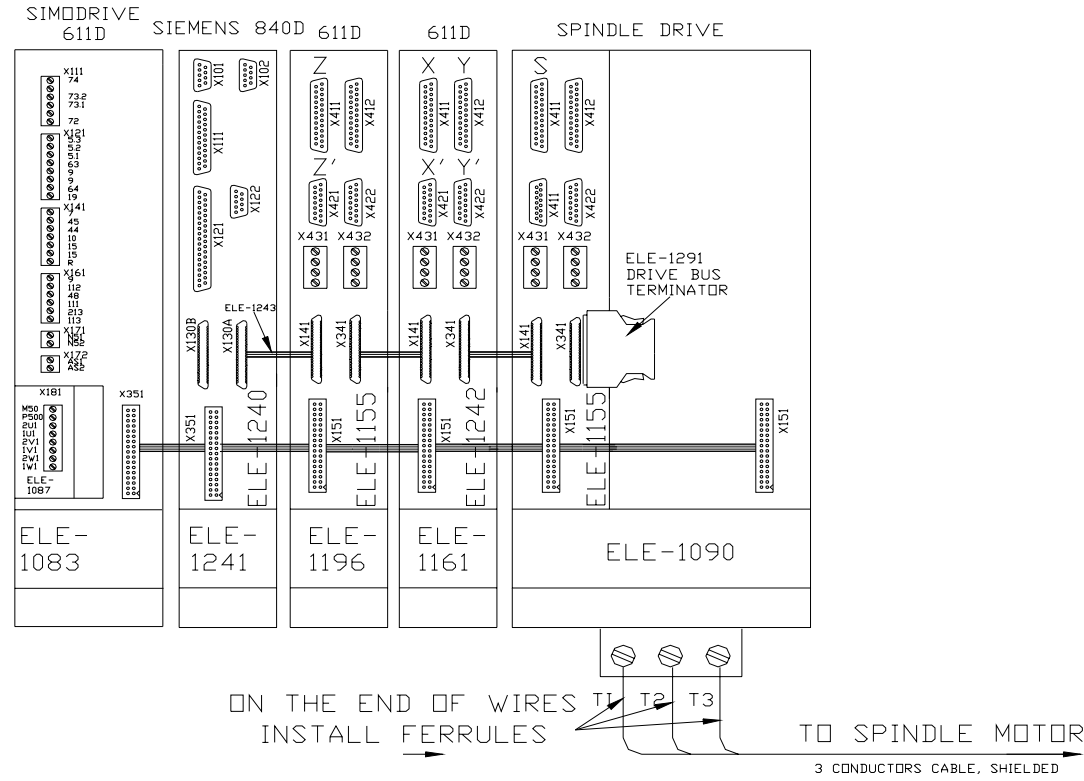
# Wrg\_0002I\_siemens\_control\_5of5



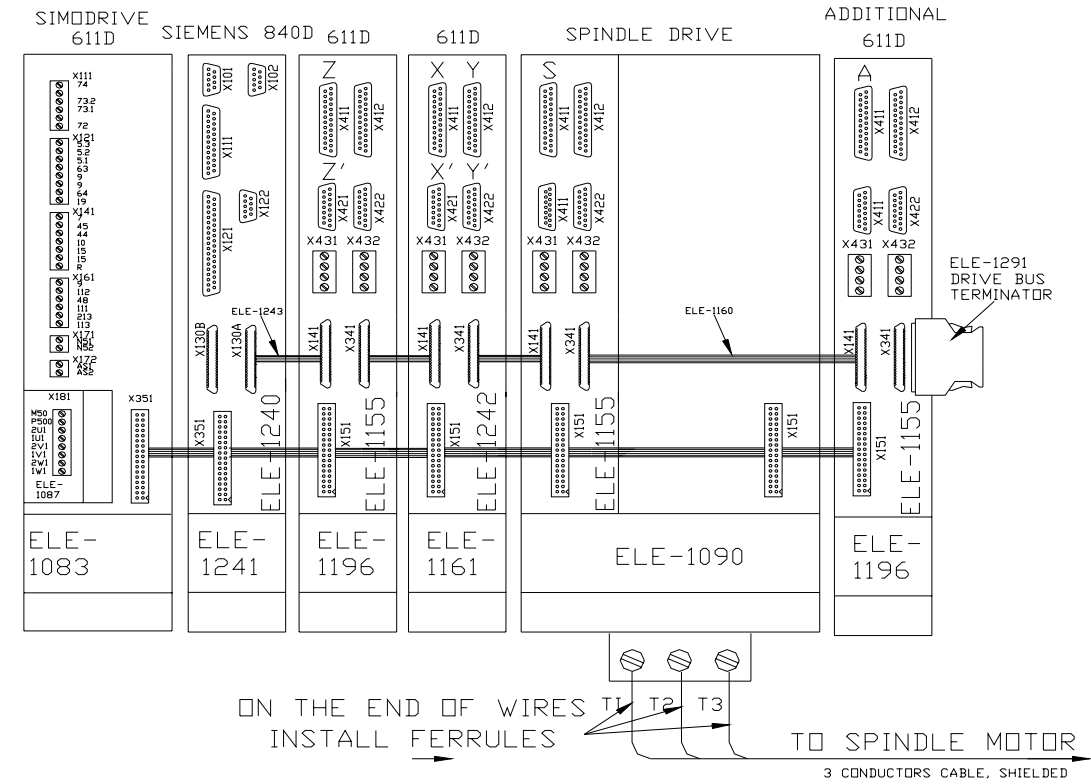
# WRG\_0060A\_Dual\_Arm\_Tool\_Changer\_Siemens



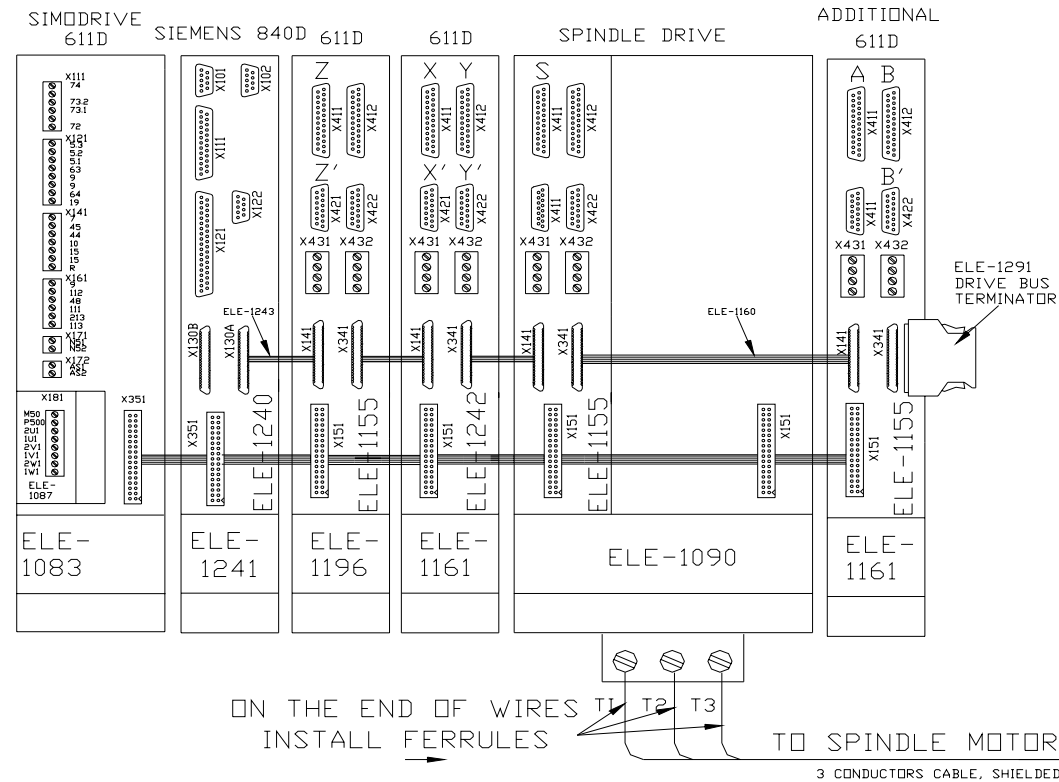
OPT-0266  
STANDARD (X, Y, Z SCALE IF REQUIRE)



OPT-0267  
A AXIS (X, Y, Z SCALE IF REQUIRE)



OPT-0268  
A&B AXIS (X, Y, Z SCALE IF REQUIRE)



- NOTE: 1. X-X AXIS FEEDBACK  
Y-Y AXIS FEEDBACK  
Z-Z AXIS FEEDBACK  
S-SPINDLE FEEDBACK  
X'-X AXIS SCALE  
Y'-Y AXIS SCALE  
Z'-Z AXIS SCALE  
A-A AXIS FEEDBACK  
B-B AXIS FEEDBACK  
B'-B' AXIS SCALE  
2. FOR V300 ROTARY TABLE USE ELE-1242 CONTROL MODULE

